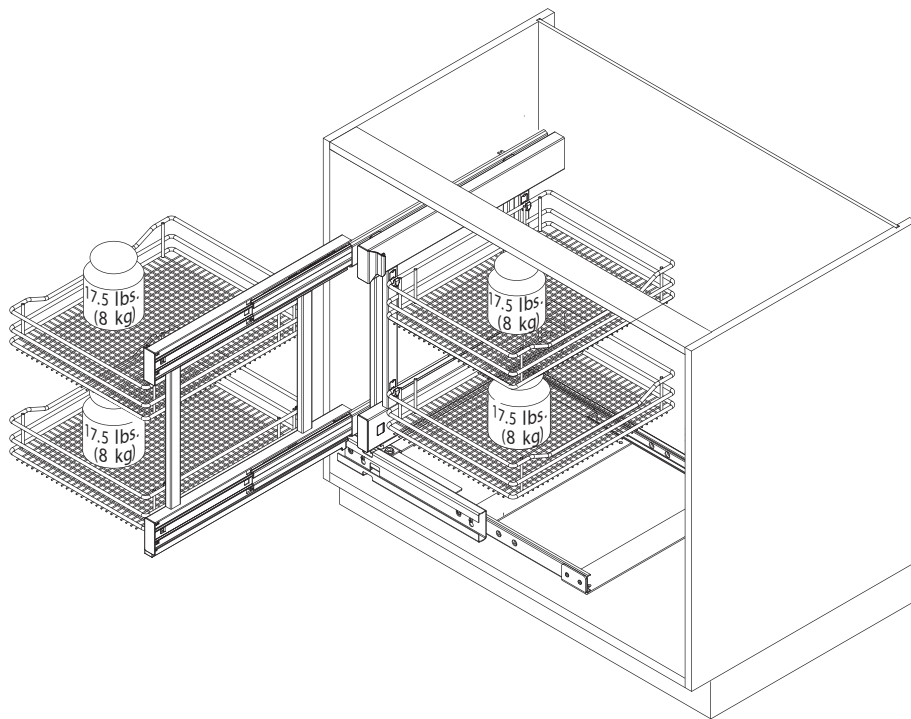
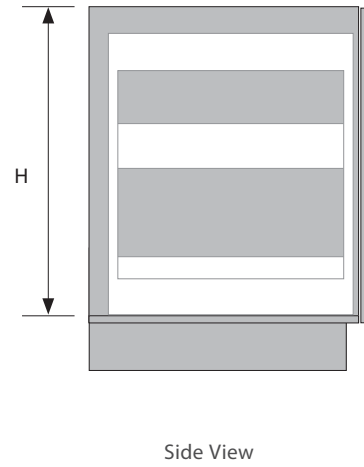
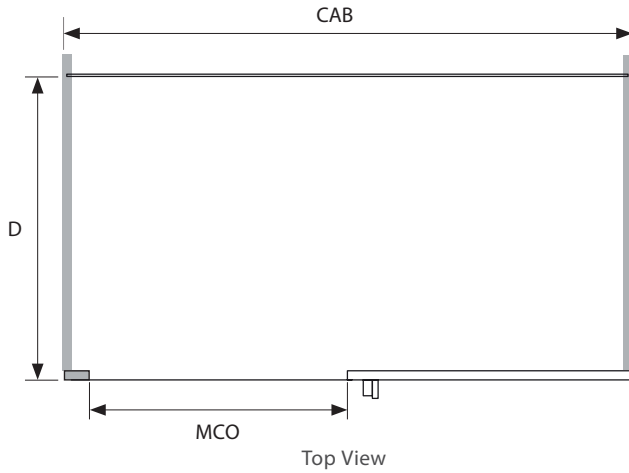


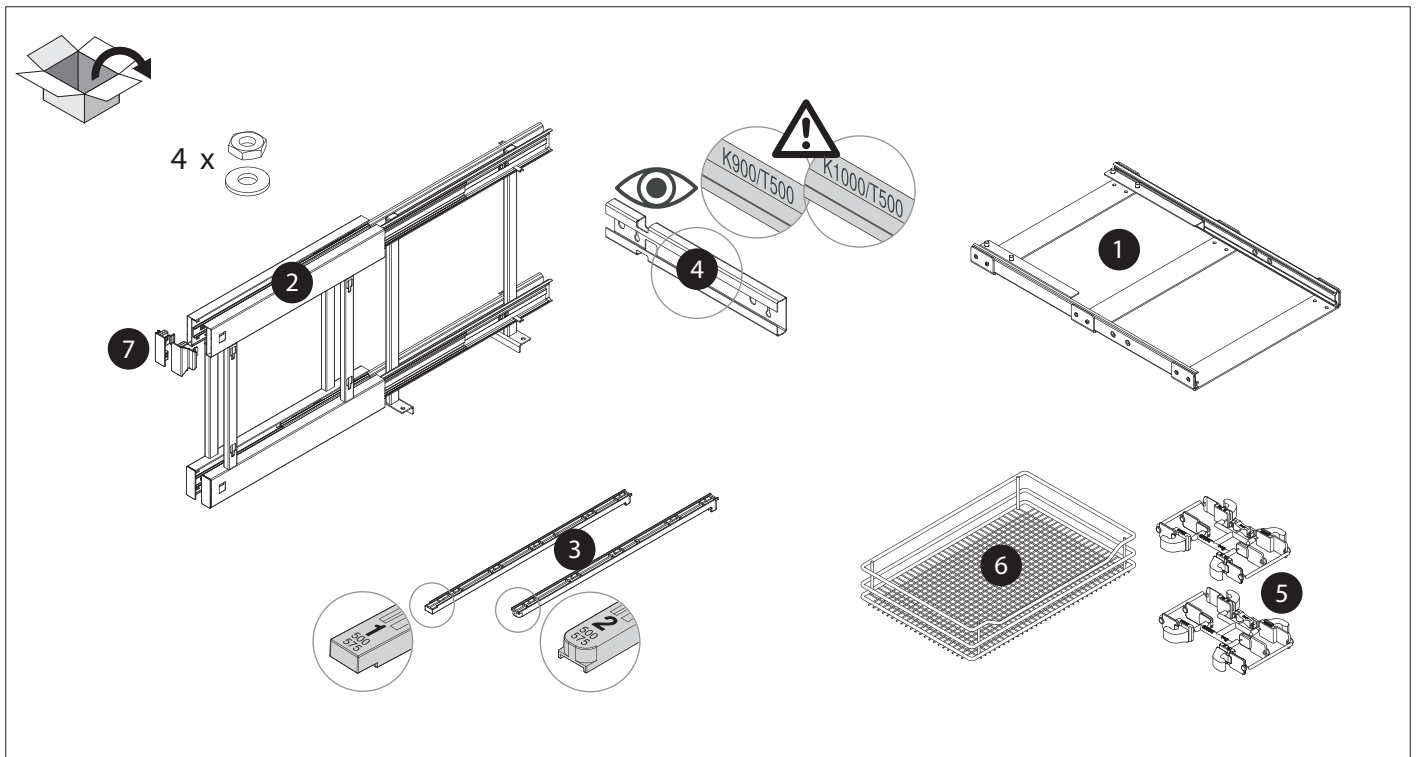
# VC2528 - L



# CABINET DIMENSIONS



Cabinet widths(CAB)	Cabinet opening(MCO)	Installation depth(D)	Installation height(H)
36"	15"	23"	min. 22.6"
39"	17.5"	23"	min. 22.6"

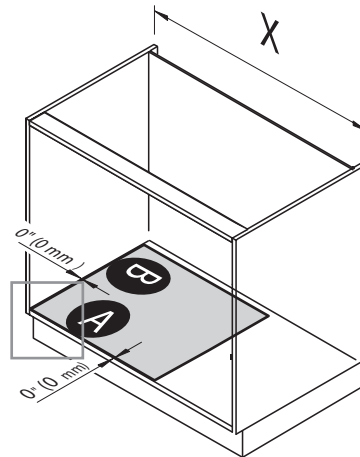
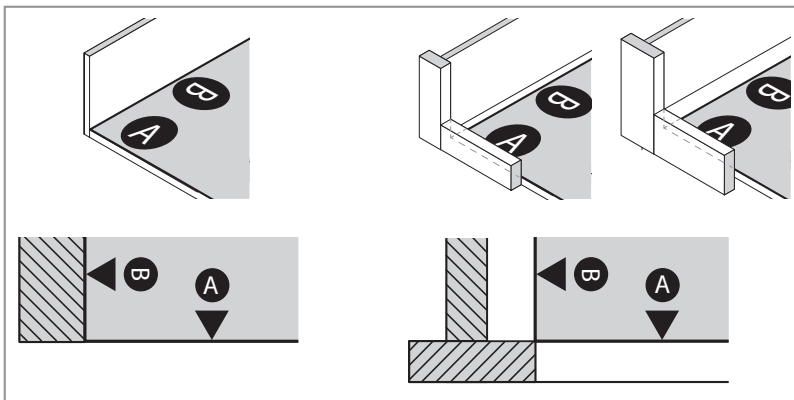


1

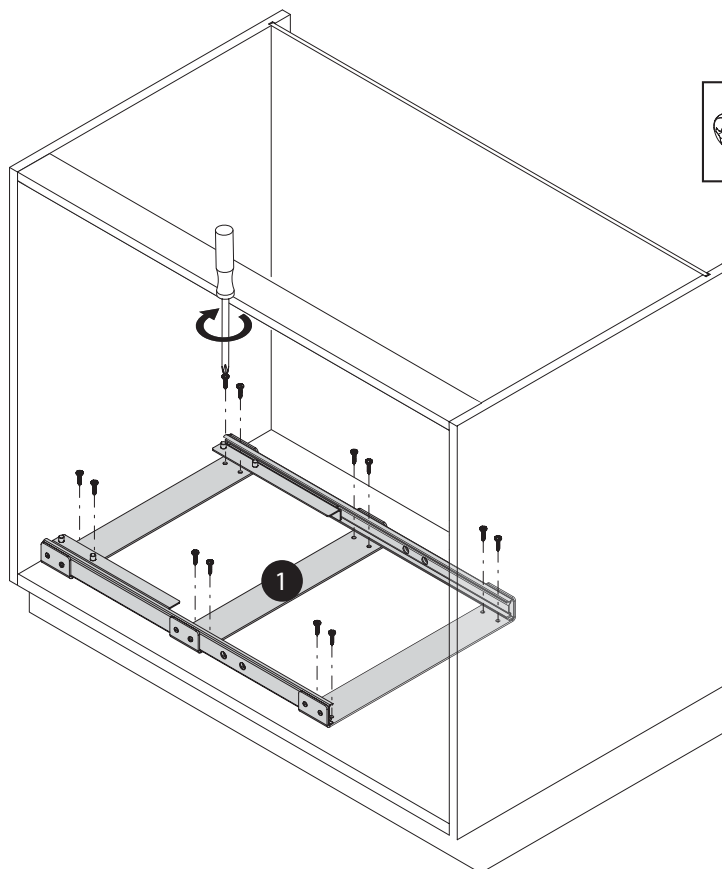
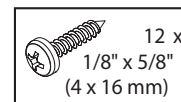
A



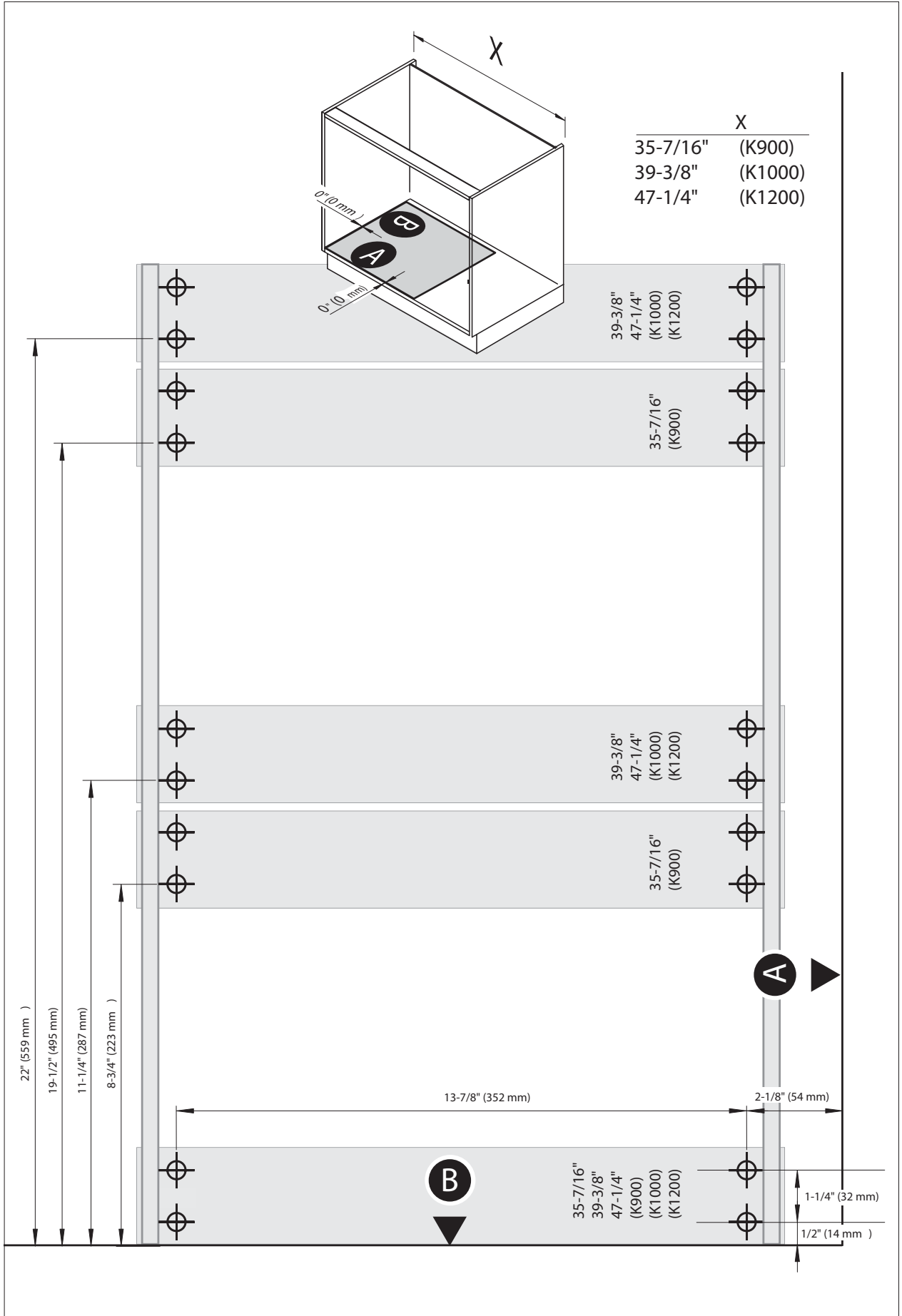
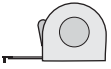
B



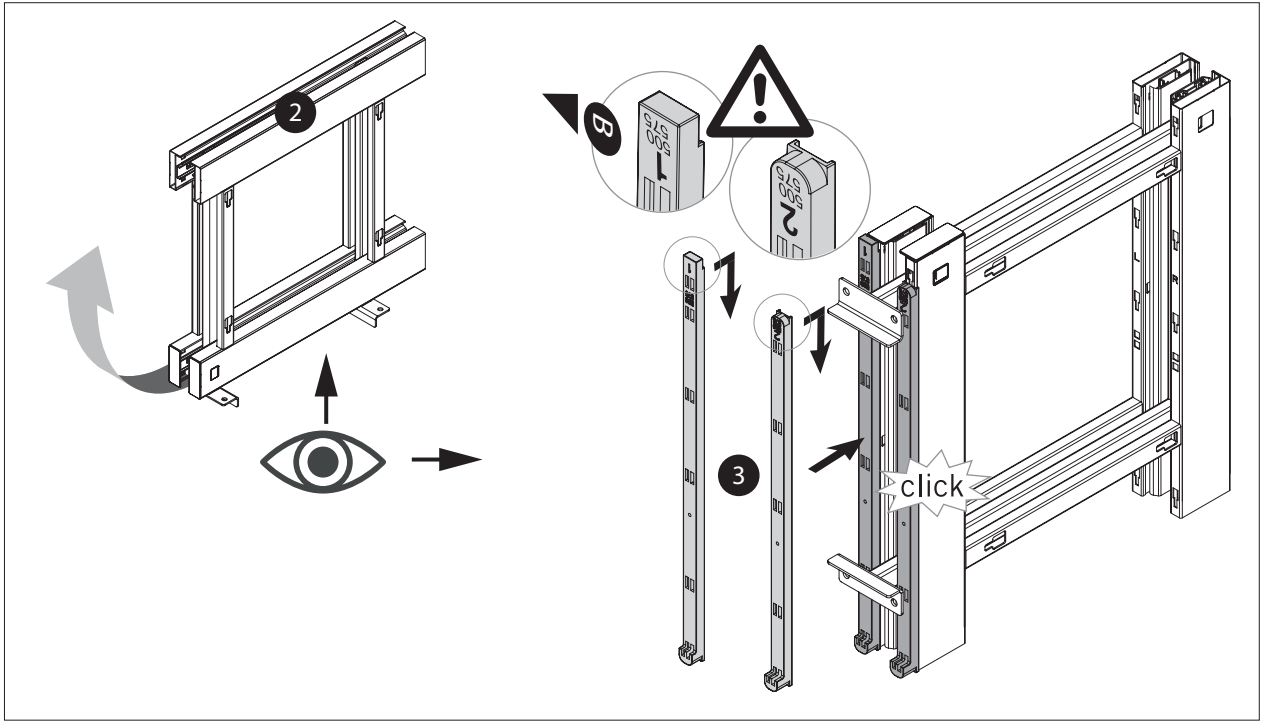
	X
35-7/16"	(K900)
39-3/8"	(K1000)
47-1/4"	(K1200)



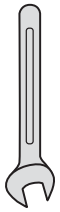
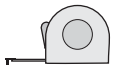
1



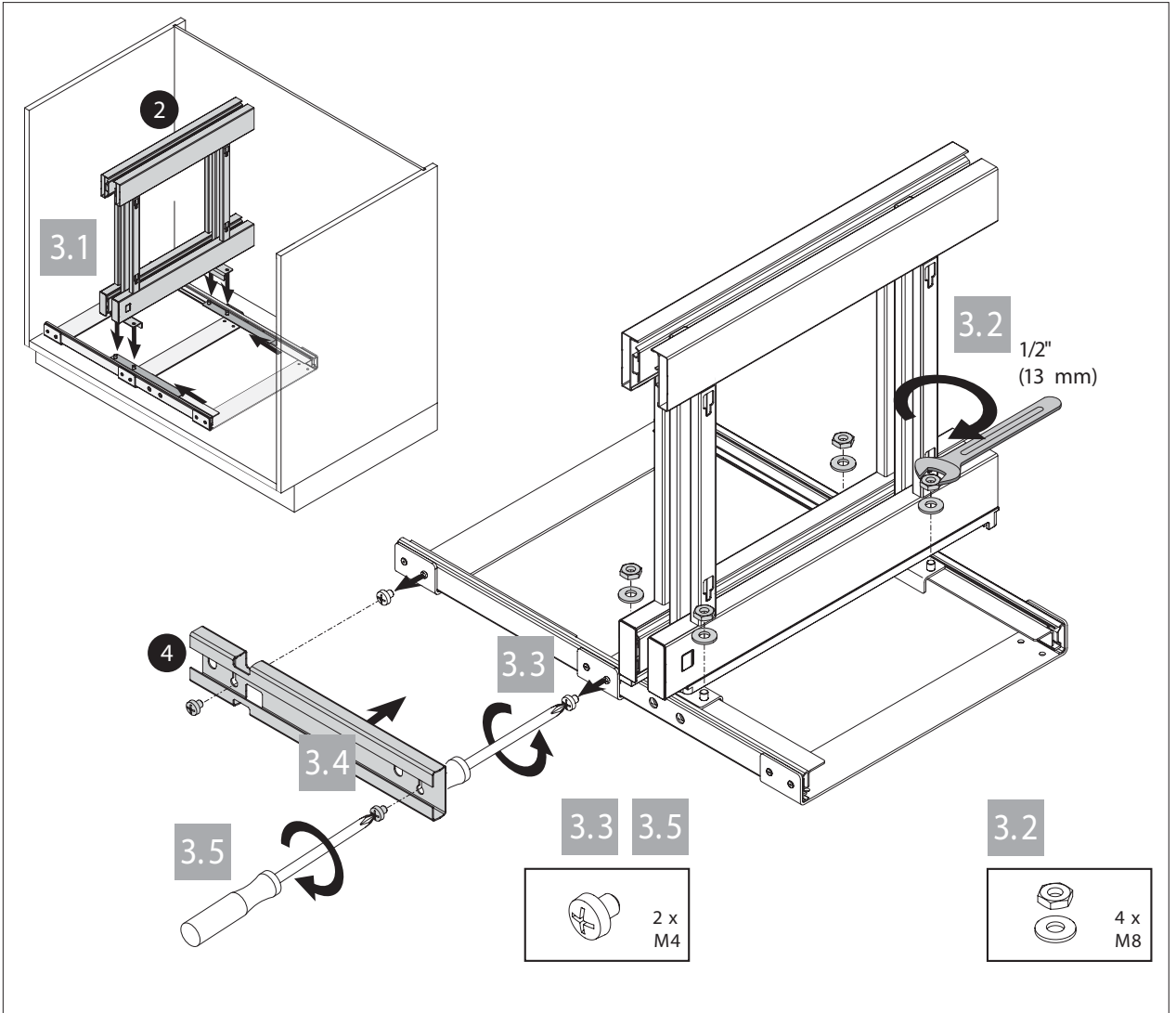
2



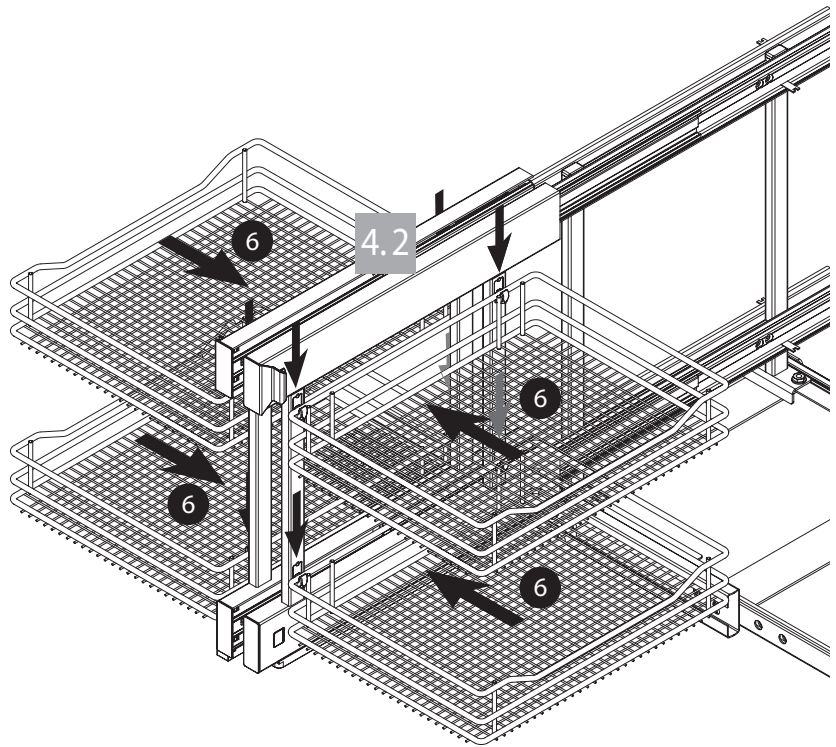
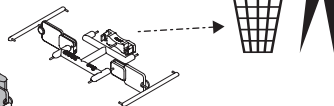
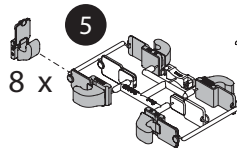
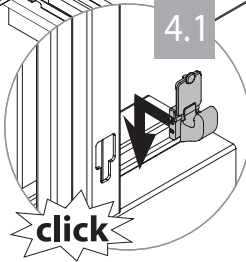
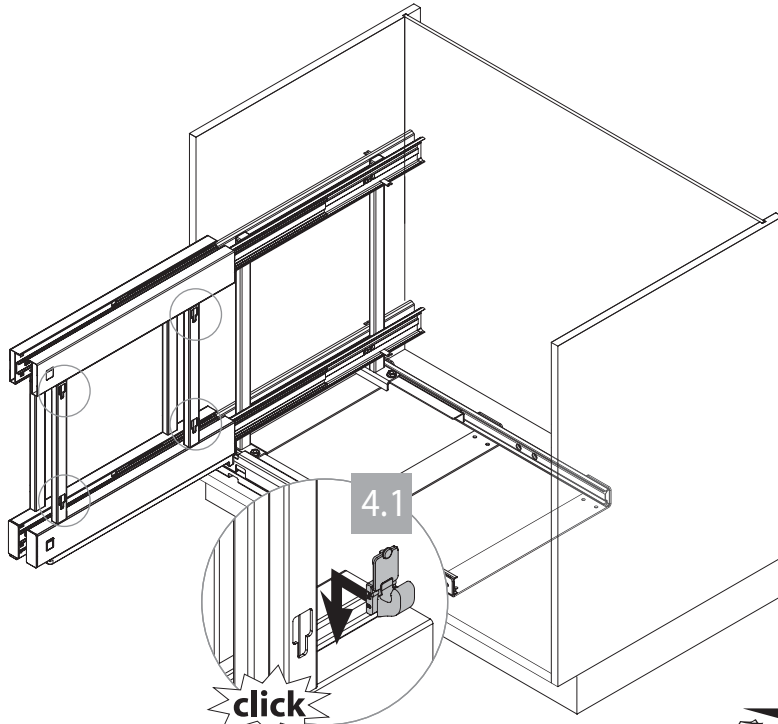
3



1/2"  
(13 mm)



4



4.2

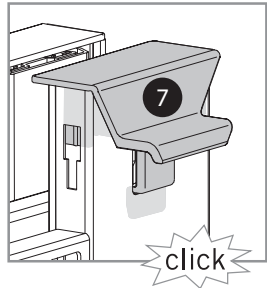
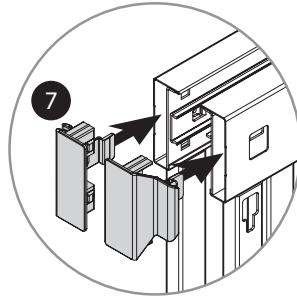
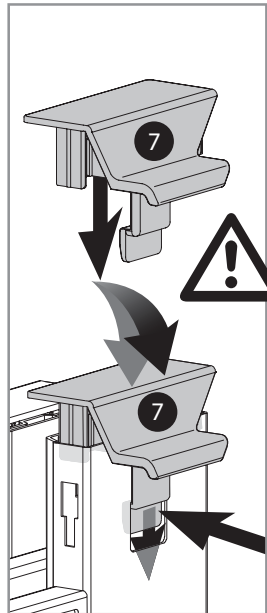
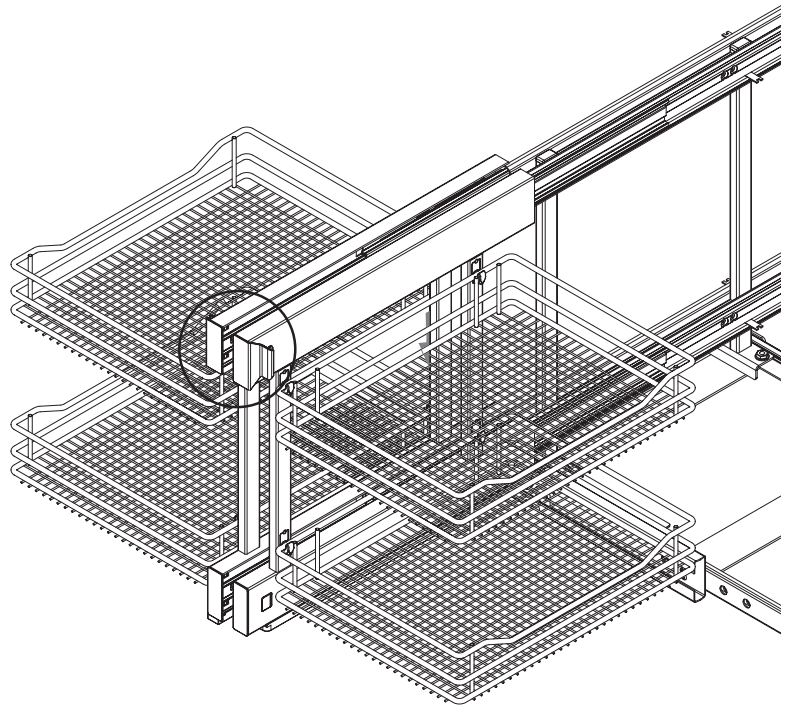
6

6

6

6

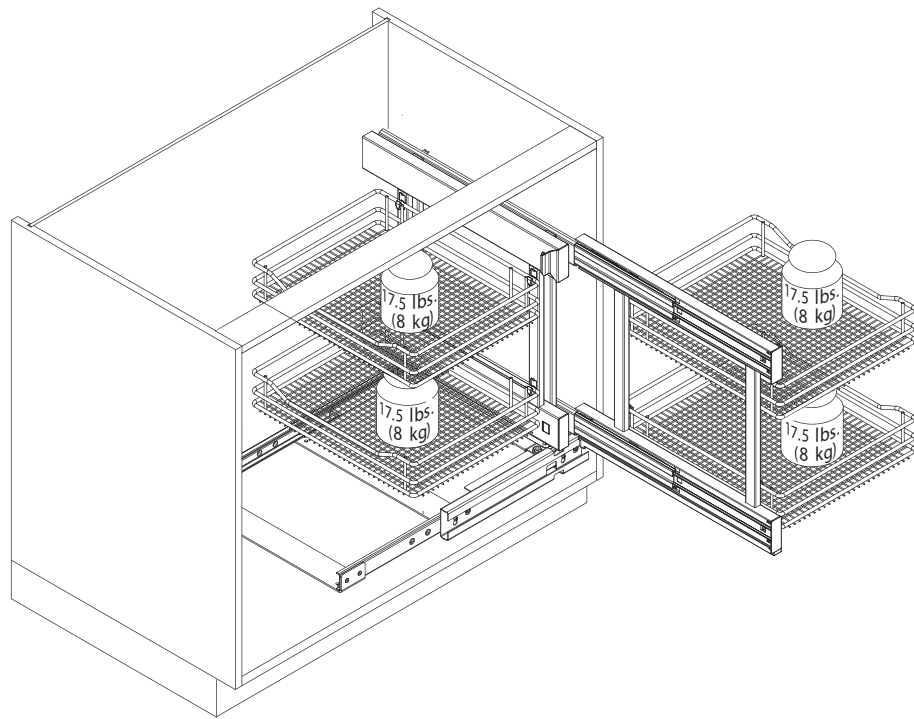
5



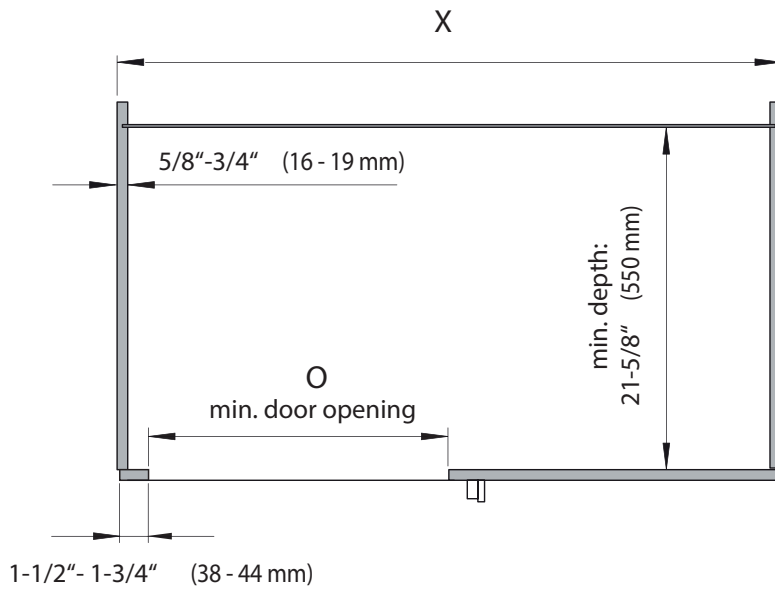




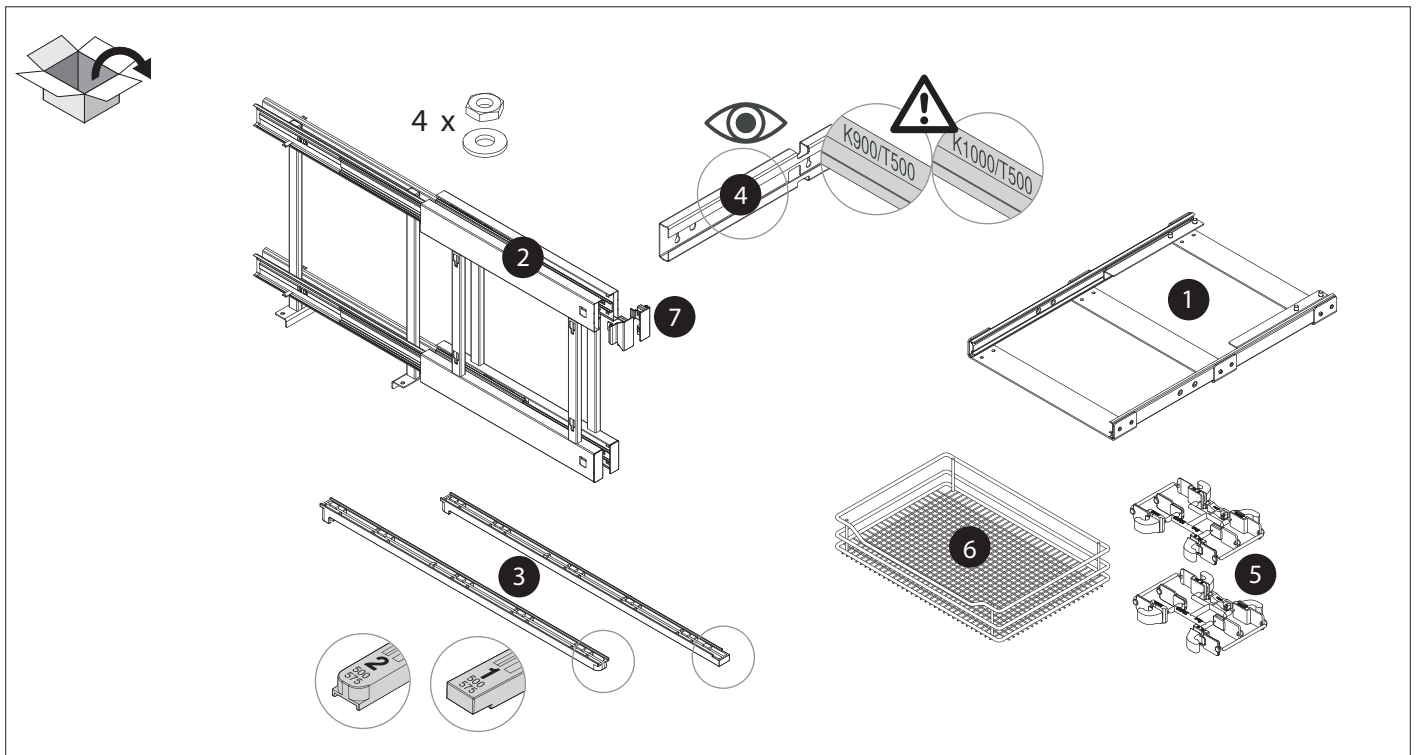
# VC2528 - R



# CABINET DIMENSIONS



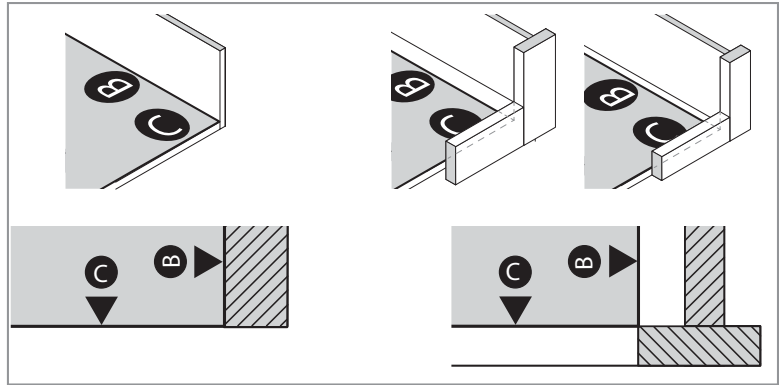
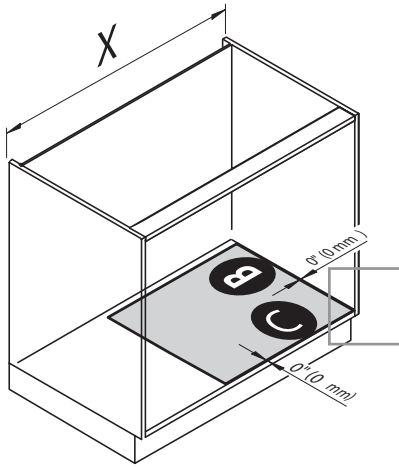
X	36" (K 900 mm)	39" (K 1000 mm)
O	15" (381 mm)	17-1/2" (444 mm)



1

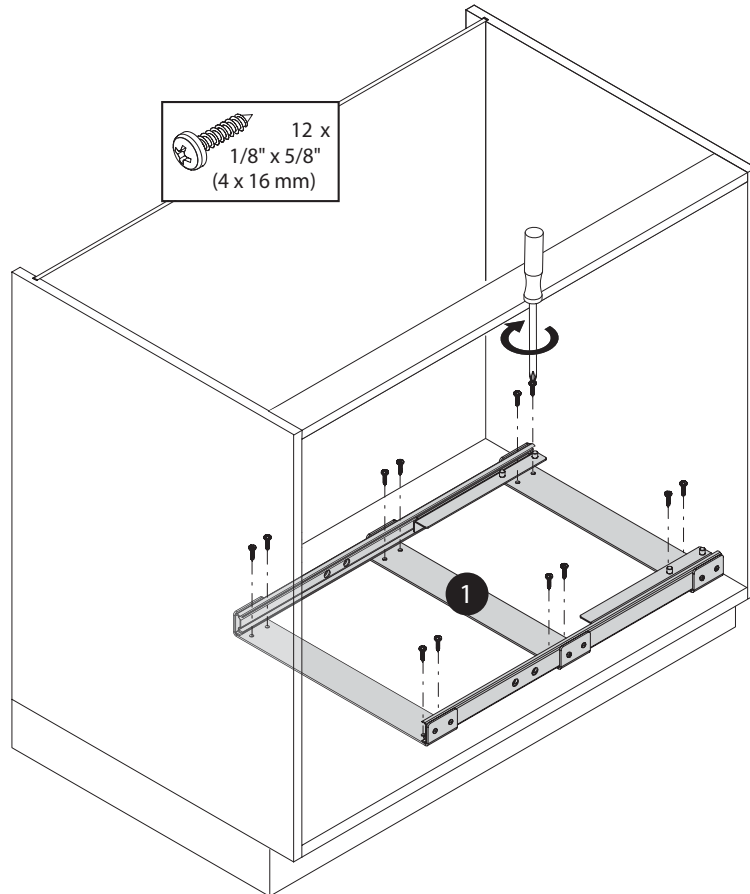
B

C

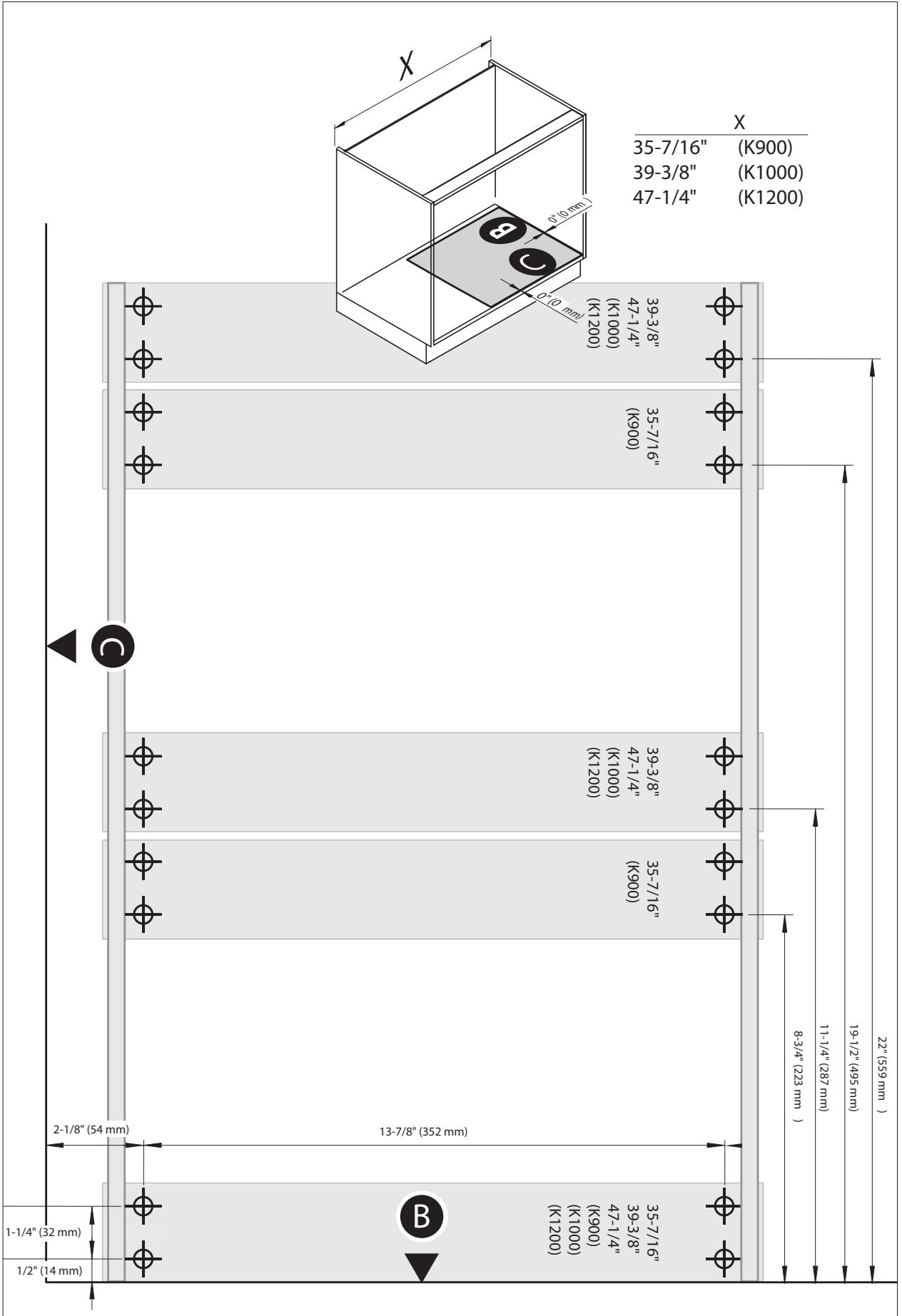
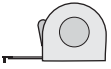


	X
35-7/16"	(K900)
39-3/8"	(K1000)
47-1/4"	(K1200)

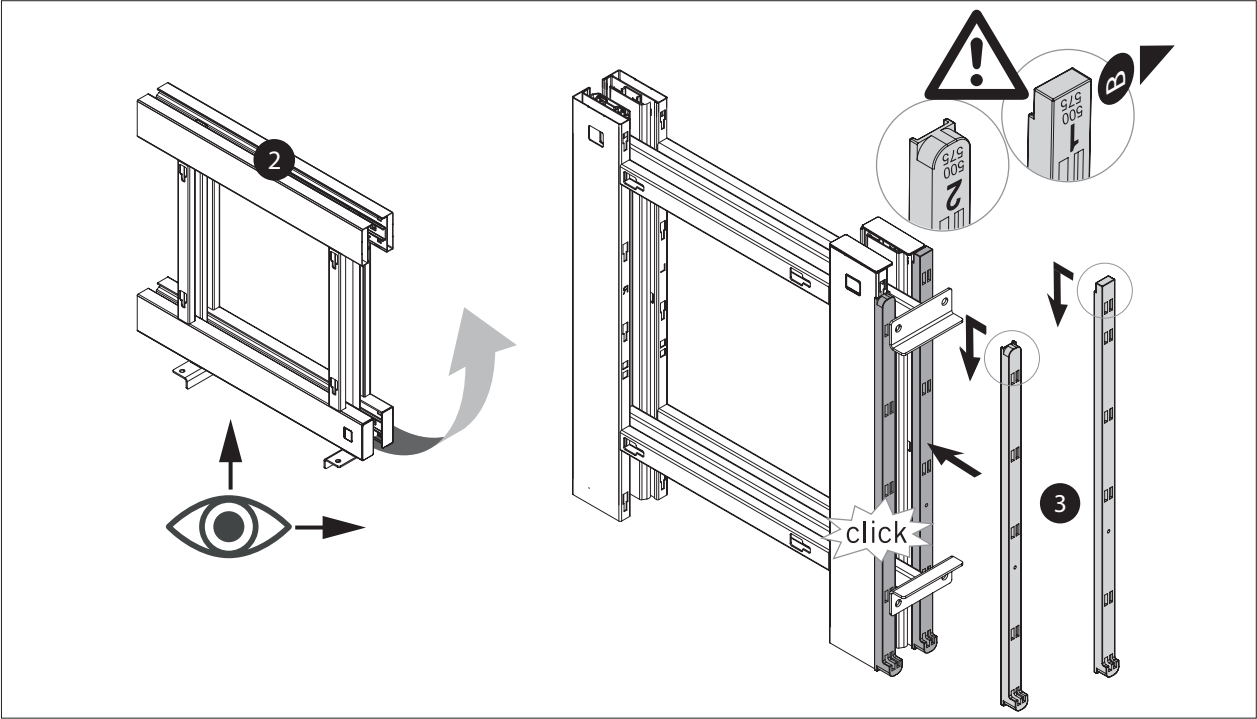
12 x  
1/8" x 5/8"  
(4 x 16 mm)



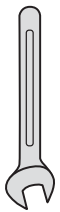
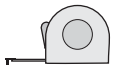
1



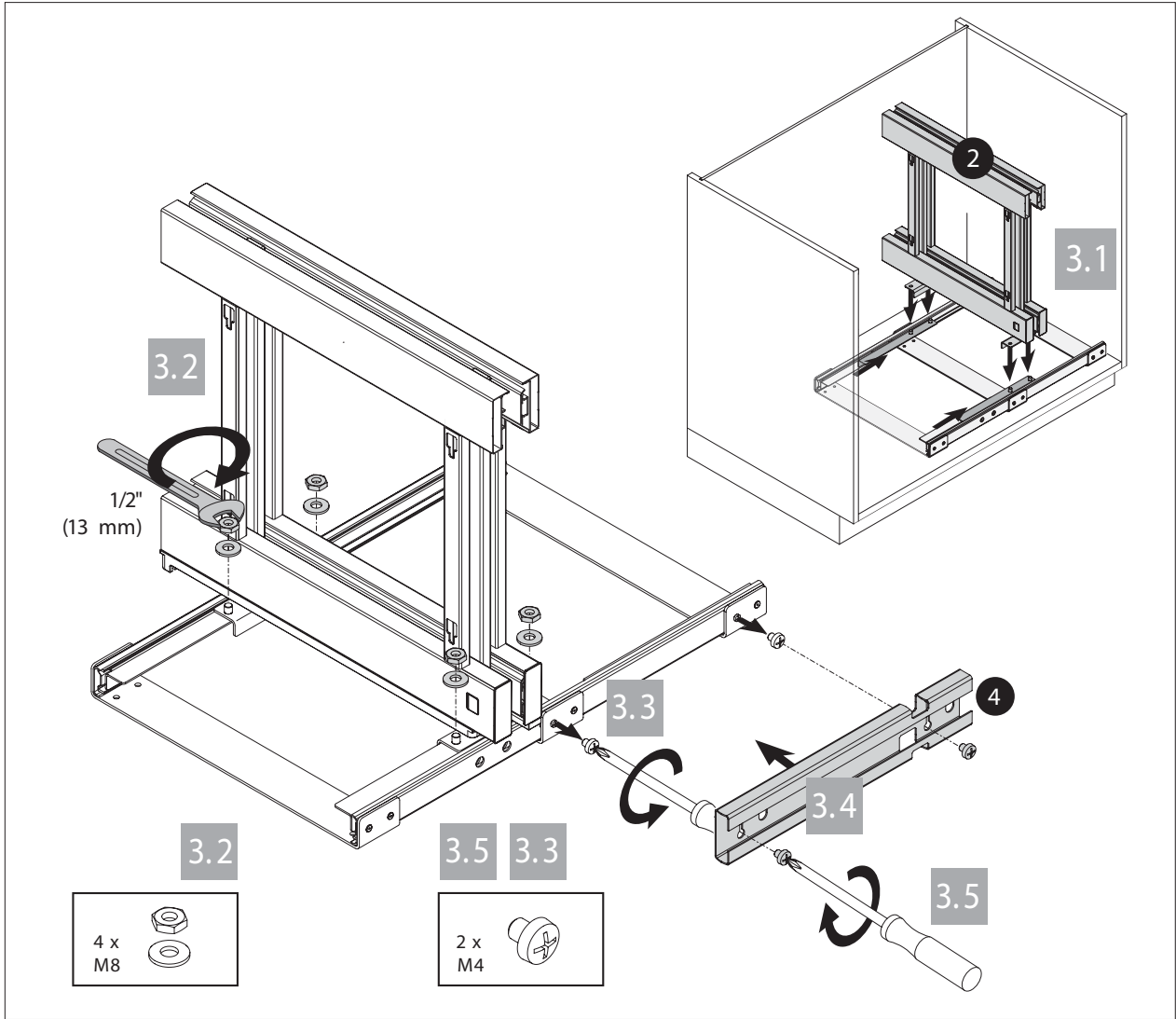
2



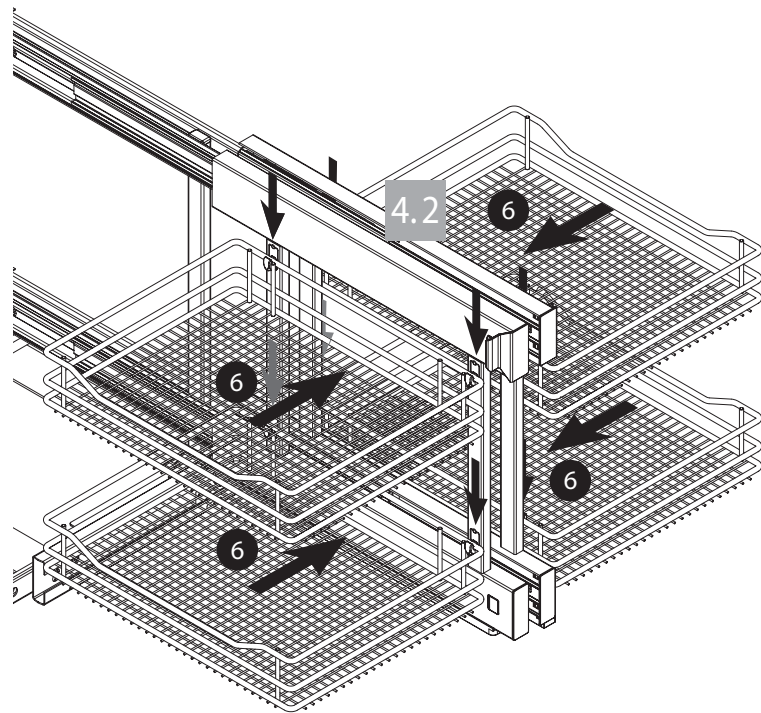
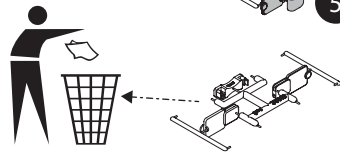
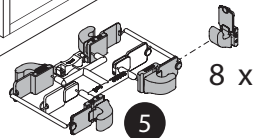
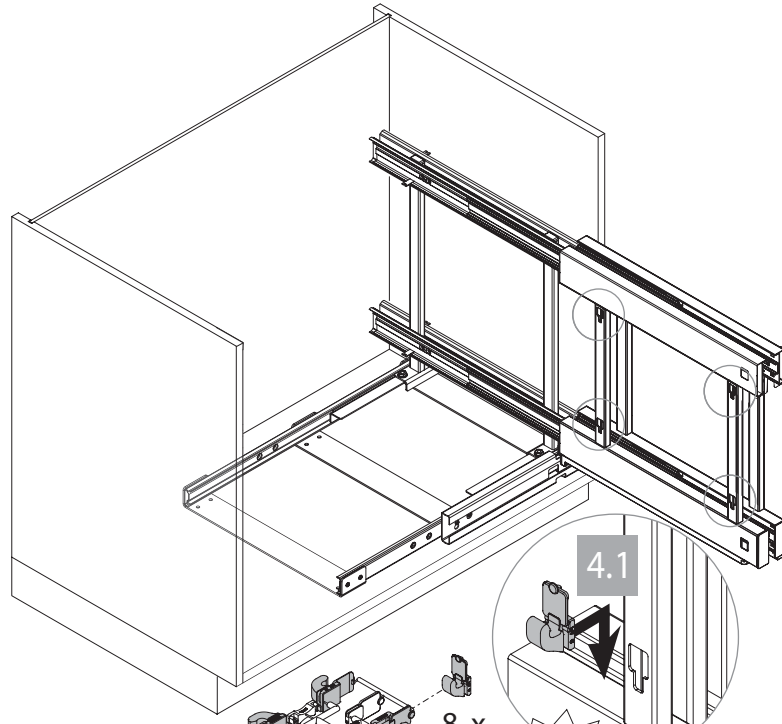
3



1/2"  
(13 mm)



4



5

