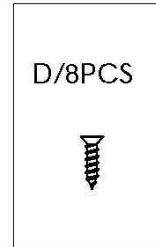
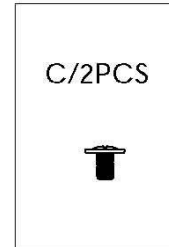
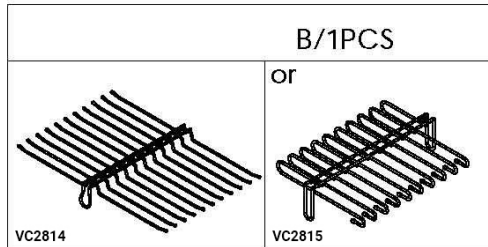
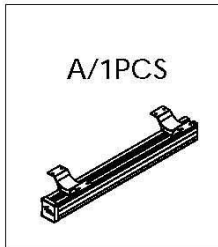


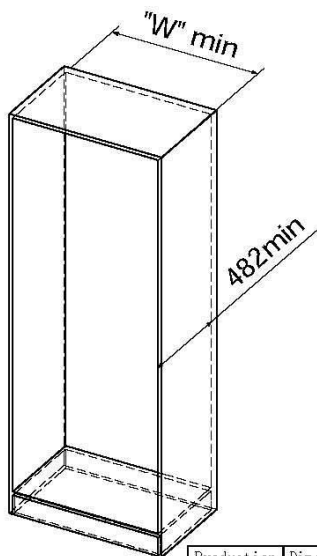
VC2814

VC2815

Accessories:

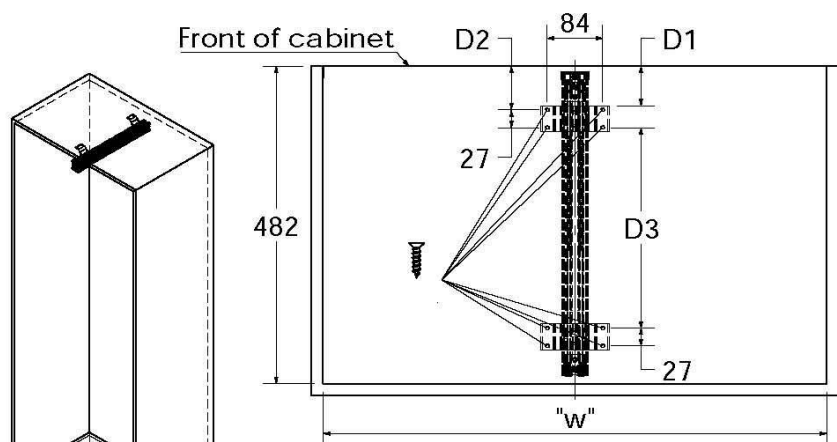


Required dimension for cabinet:



| Production | Dimension "W" |
|------------|---------------|
| VC2814 | 764 |
| VC2815 | 464 |

1. To install slides:



| Dimension | |
|-----------|-----|
| D1 | 60 |
| D2 | 67 |
| D3 | 304 |

2. To install fitting "B":

