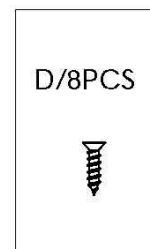
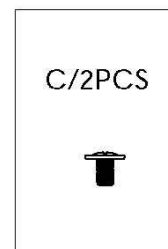
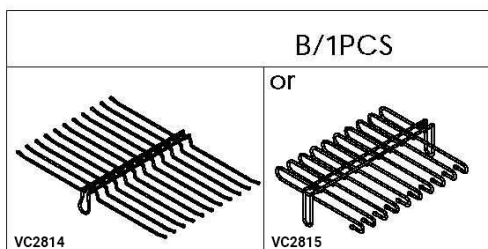
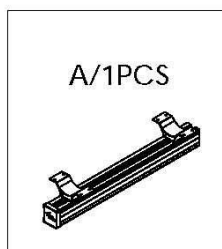


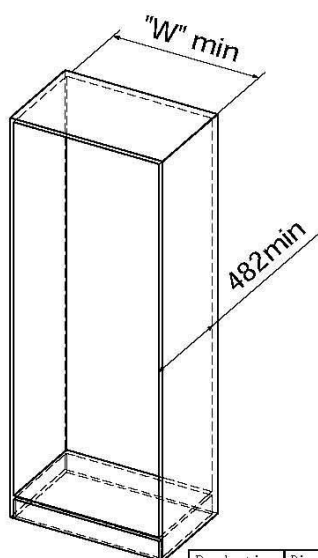
VC2814

VC2815

Accessories:

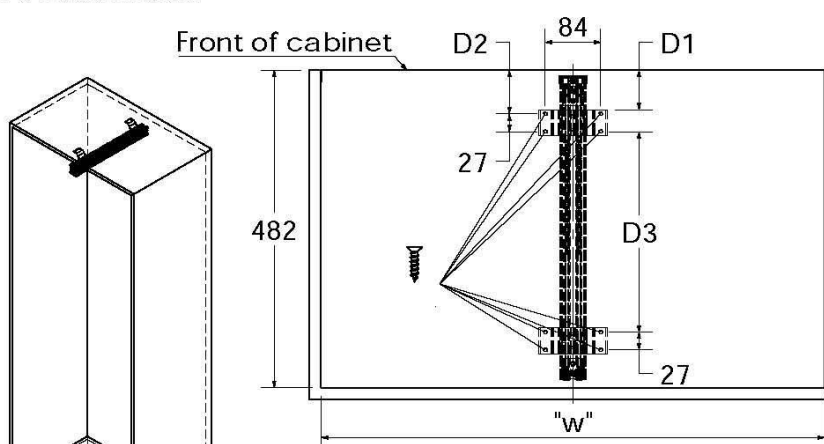


Required dimension for cabinet:



Production	Dimension "W"
VC2814	764
VC2815	464

1. To install slides:



Dimension	
D1	60
D2	67
D3	304

2. To install fitting "B":

