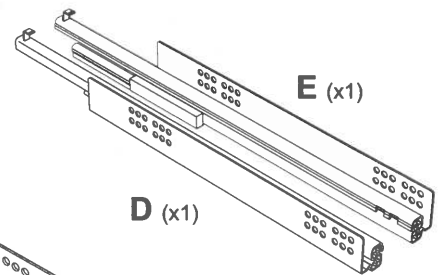
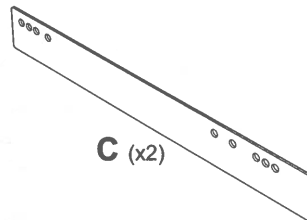


**A (x1)**

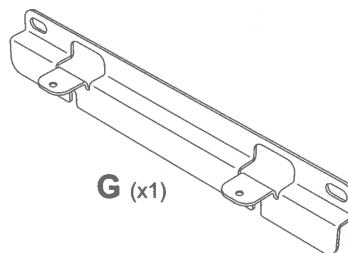


**E (x1)**

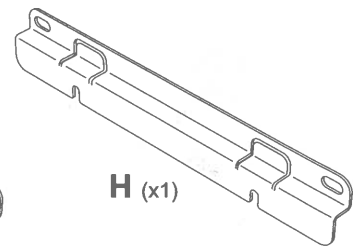


**C (x2)**

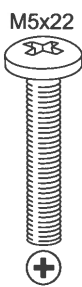
**D (x1)**



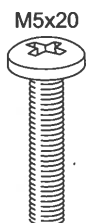
**G (x1)**



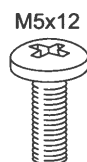
**H (x1)**



**M (x4)**



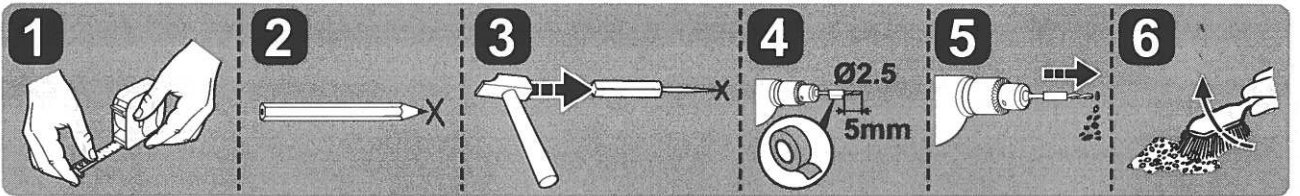
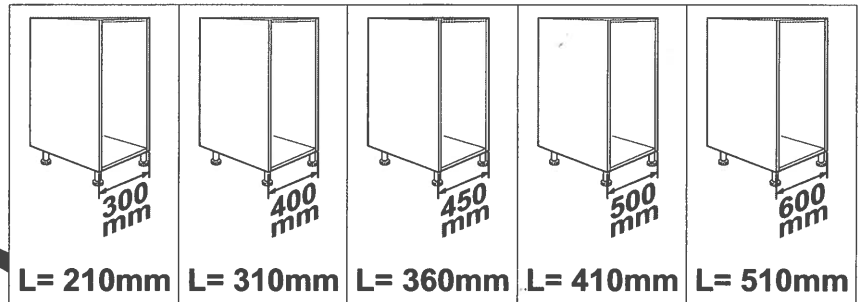
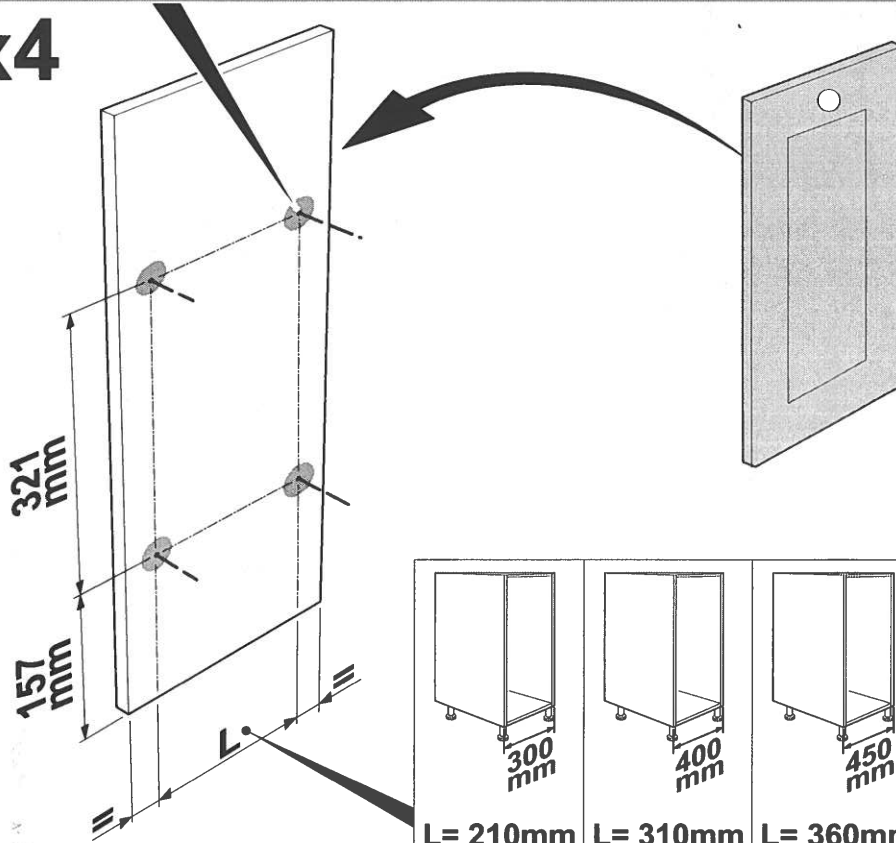
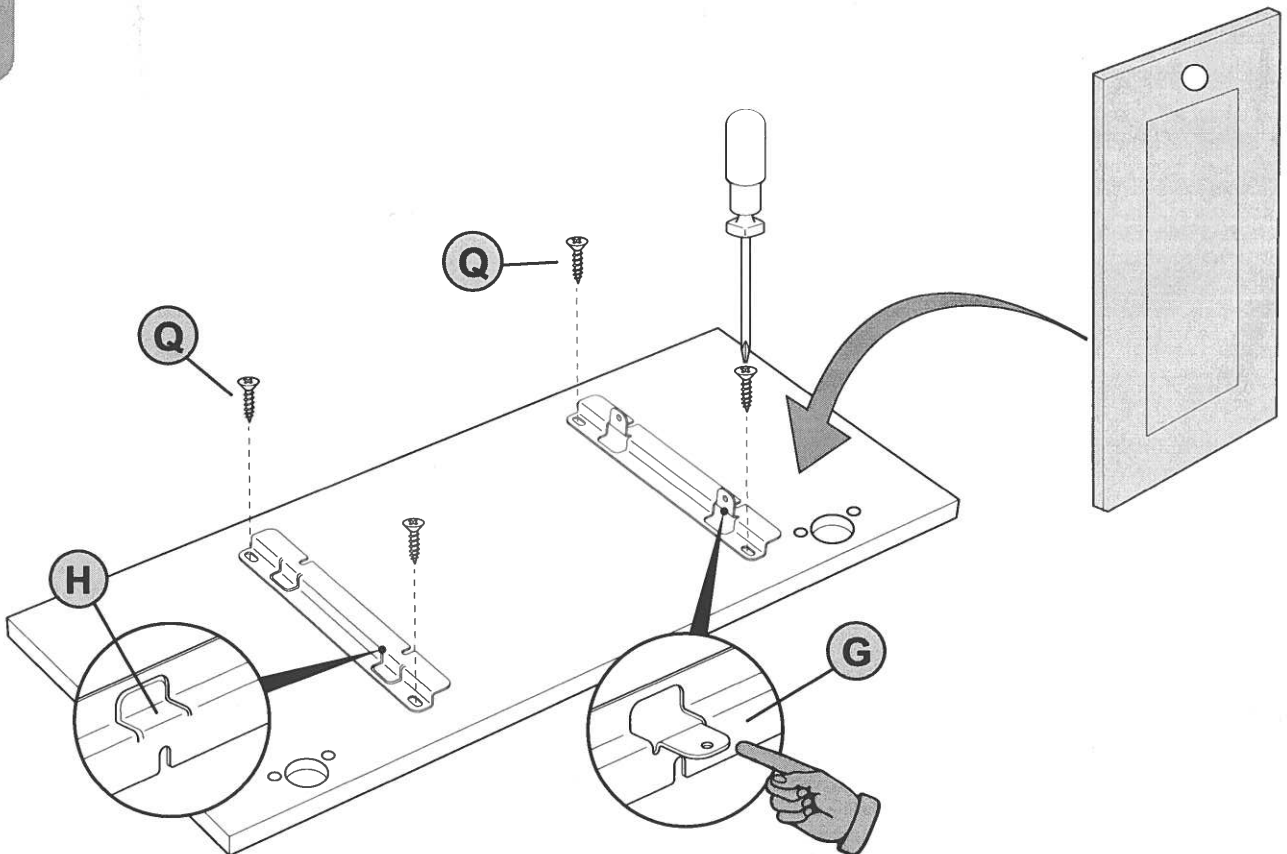
**N (x4)**



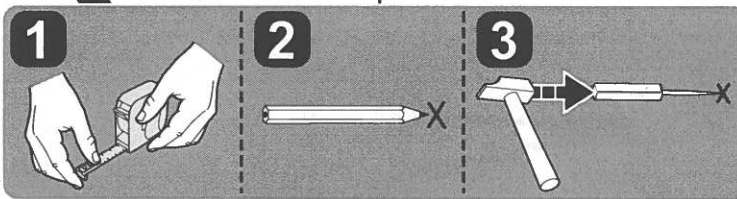
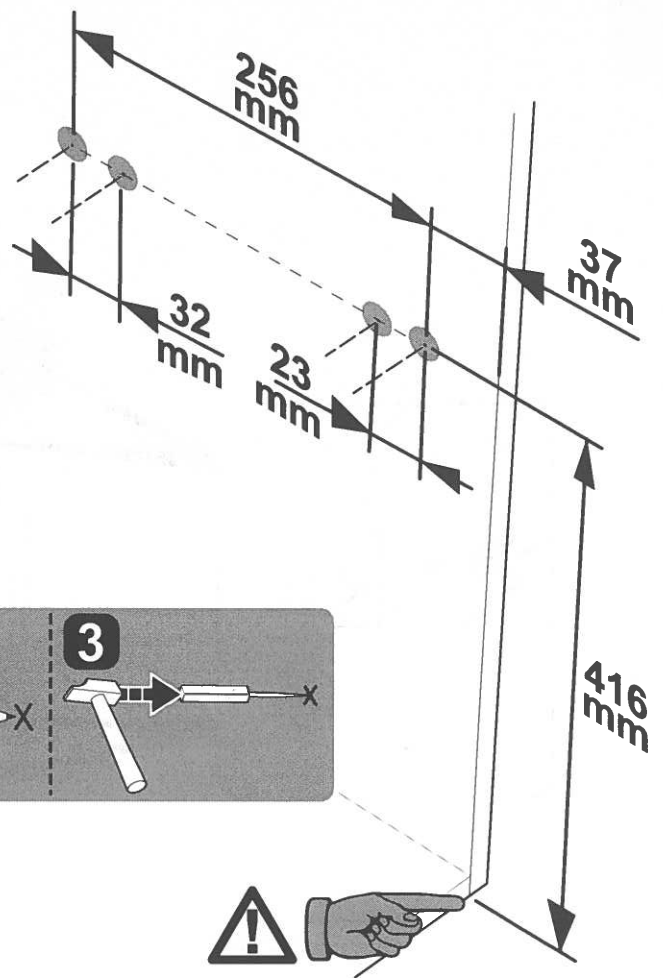
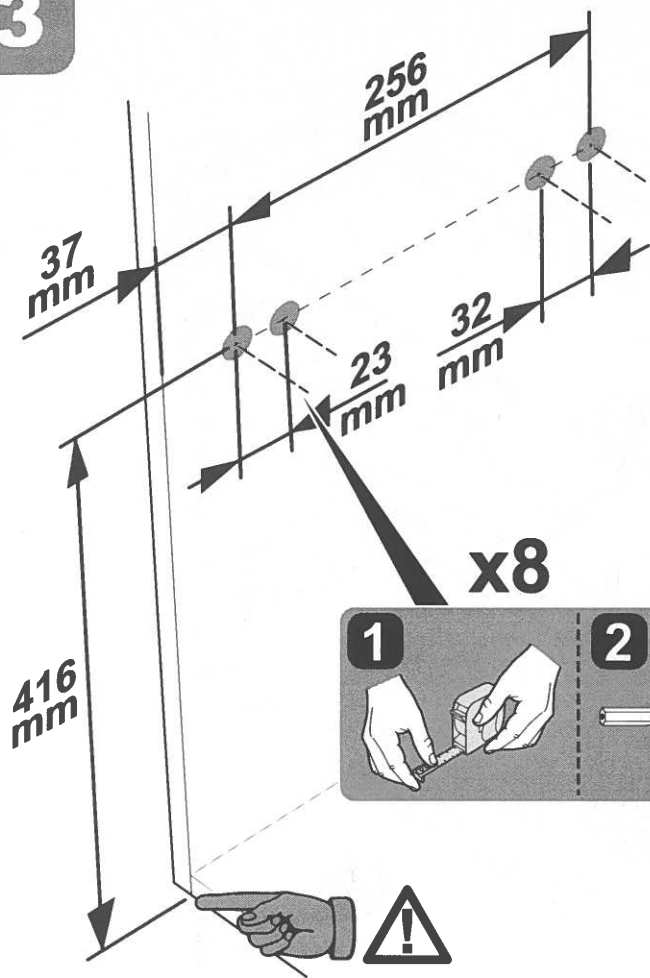
**P (x2)**



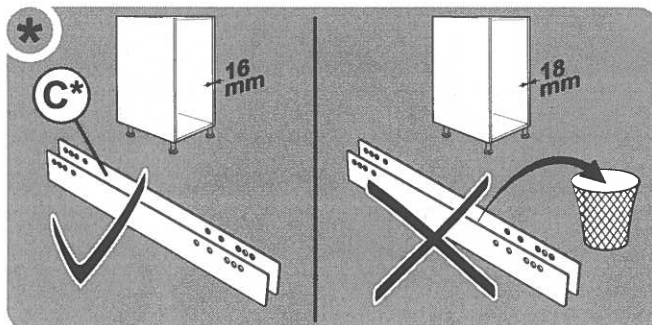
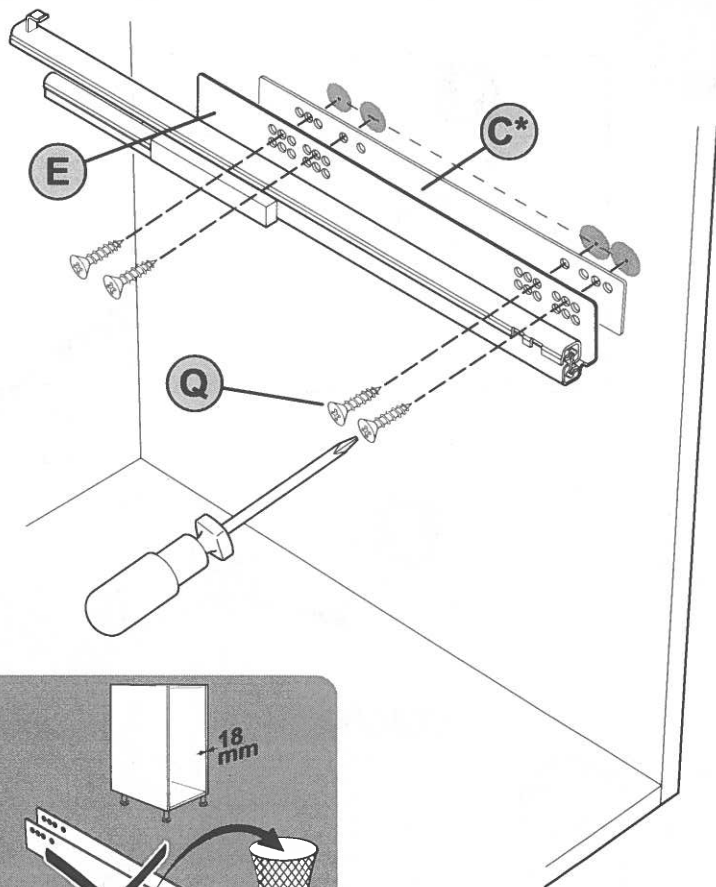
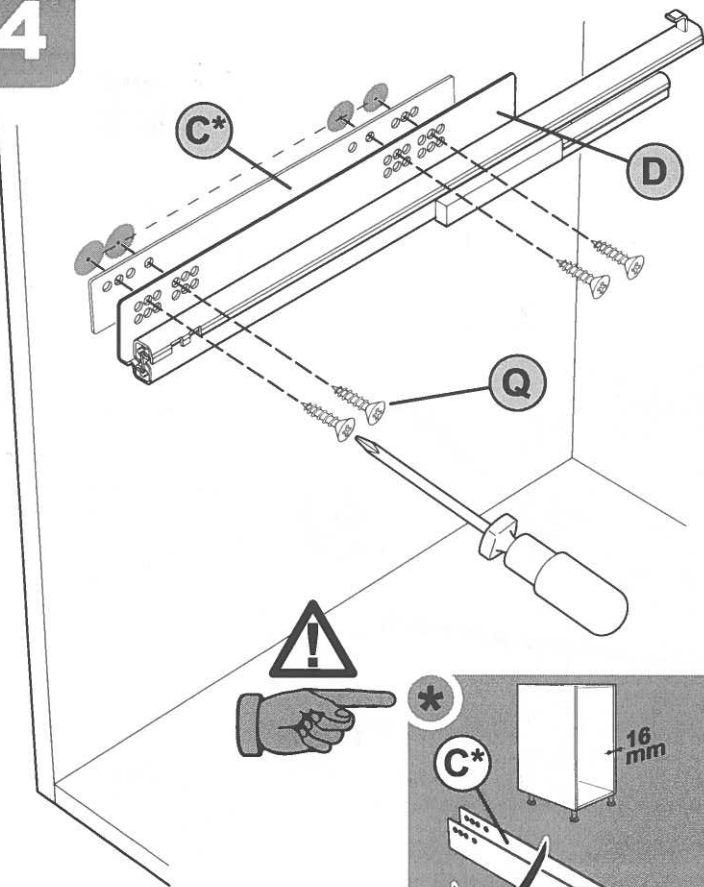
**Q (x12)**

**1****x4****2****2**

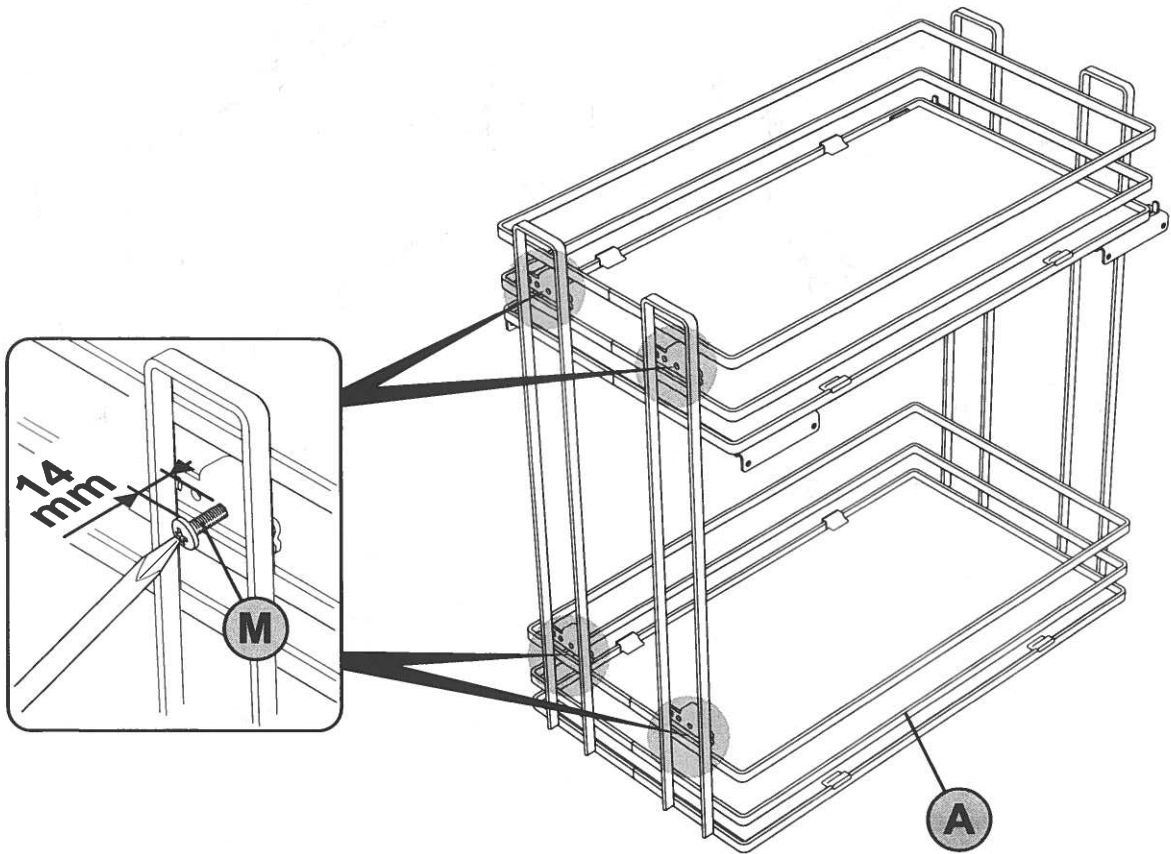
3



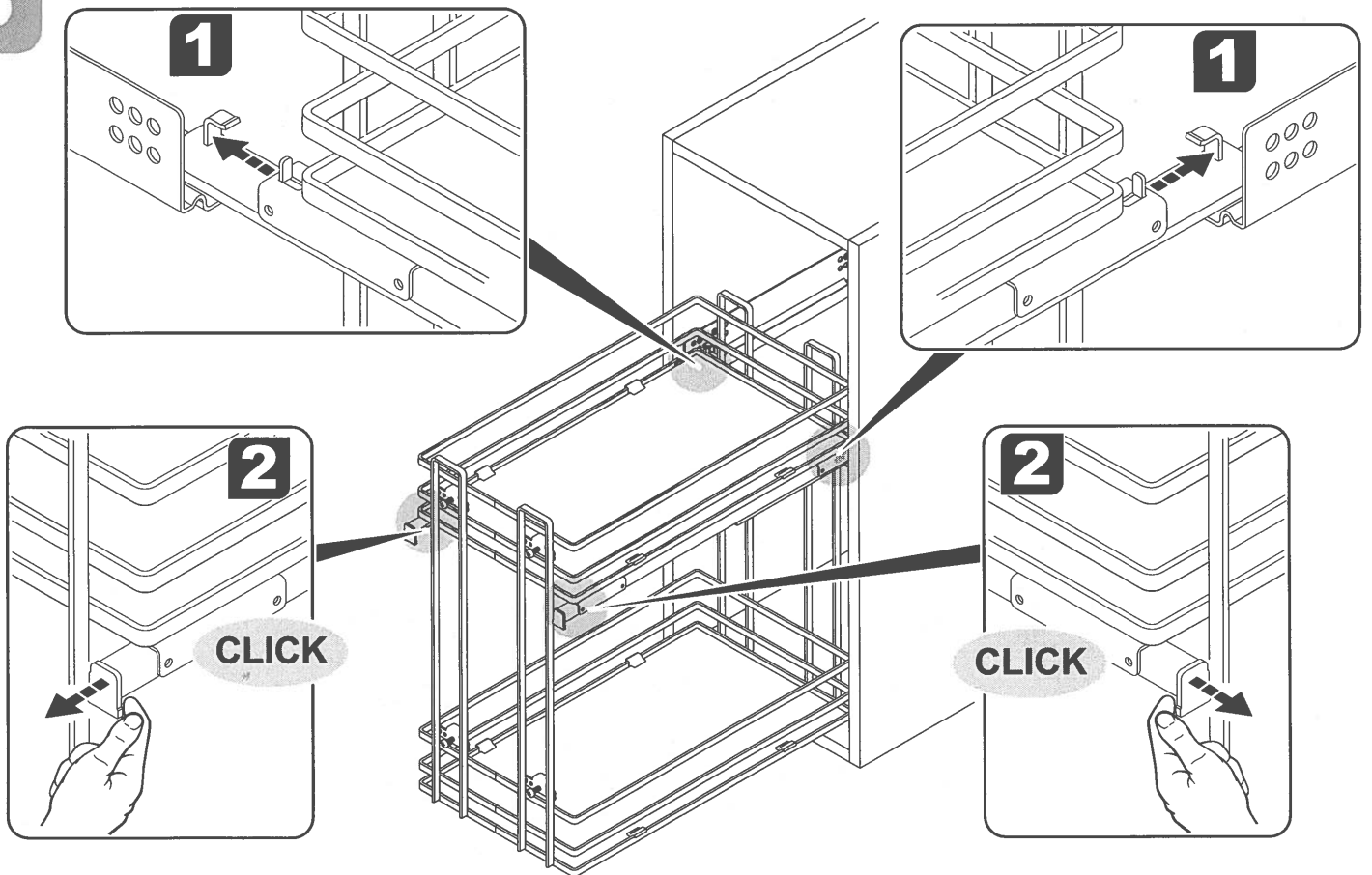
4



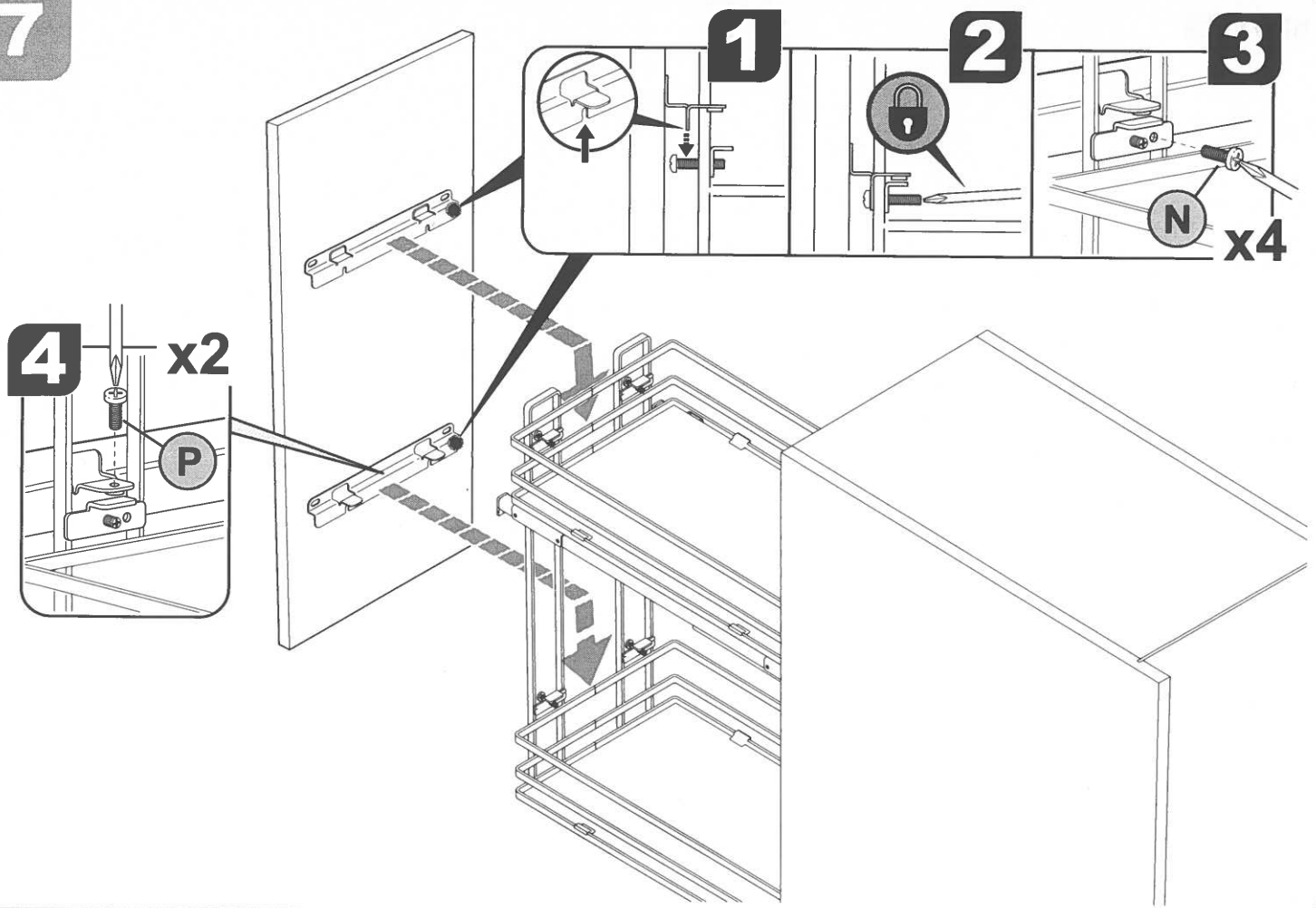
5



6

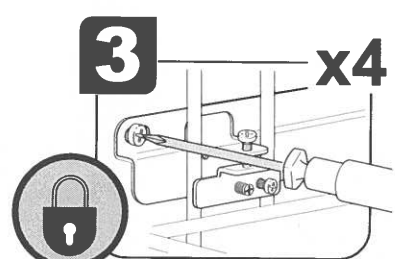
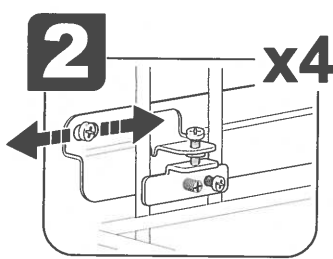
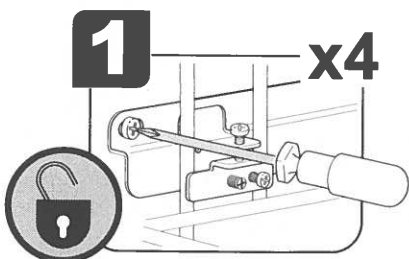
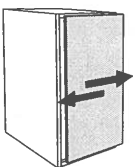
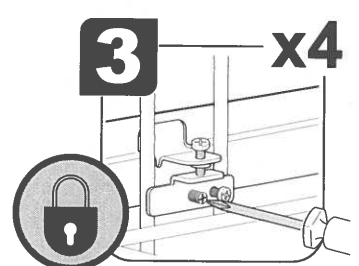
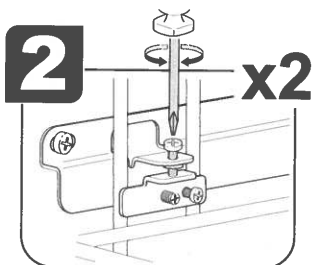
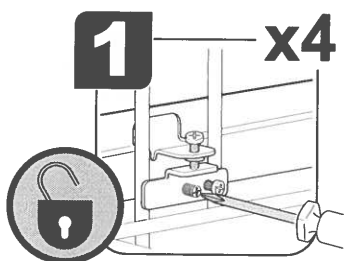
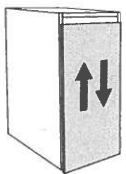
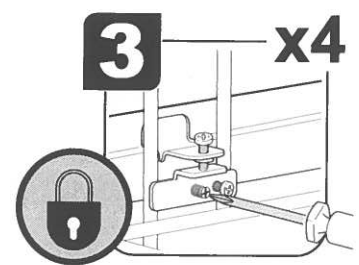
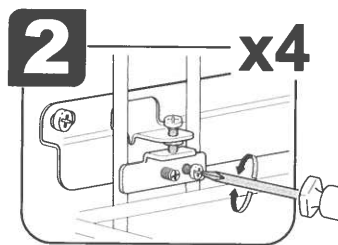
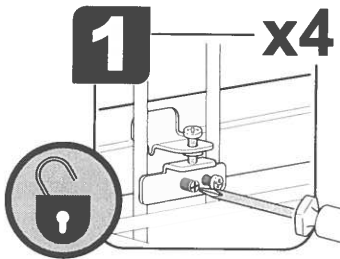
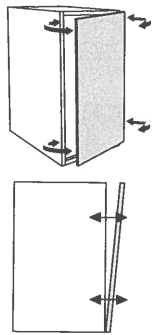


7



8

DOOR ADJUSTMENT - RÉGULATION FACADE - FRONT EINSTELLUNG - AJUSTE PUERTA - REGOLAZIONE ANTA



# NOTES

# NOTES

