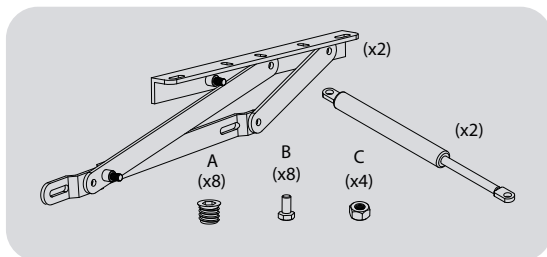
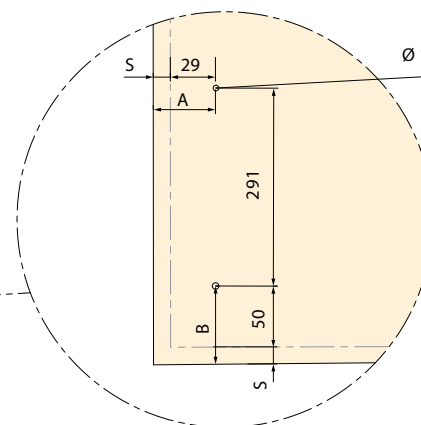
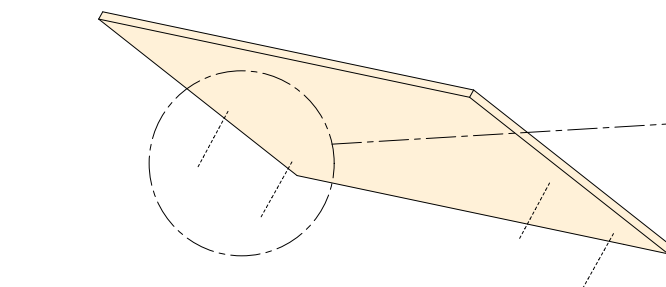


VC3537

max. 30 kg



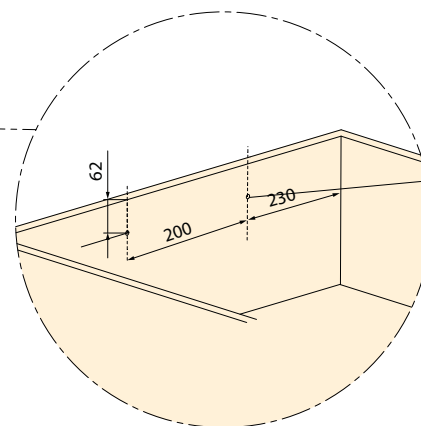
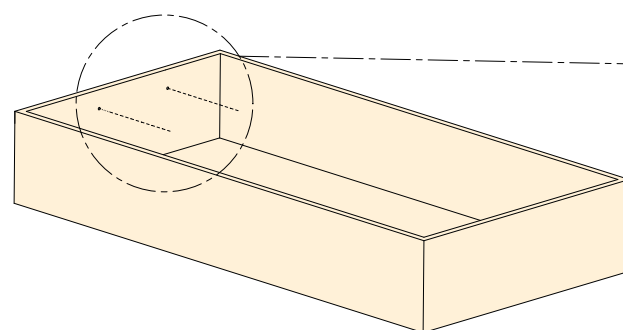
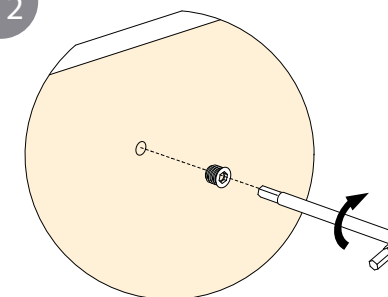
1

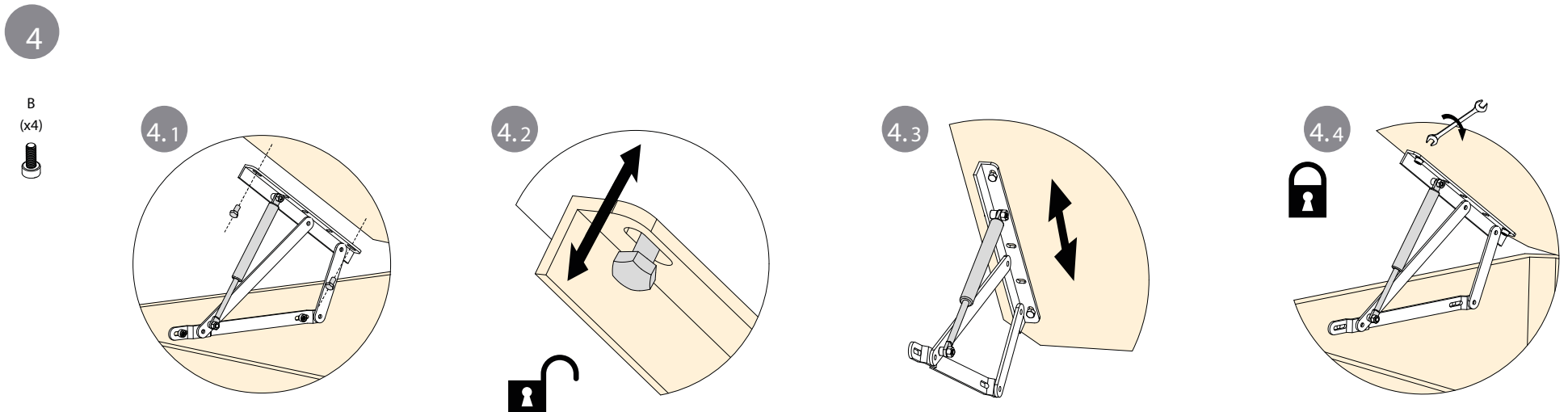
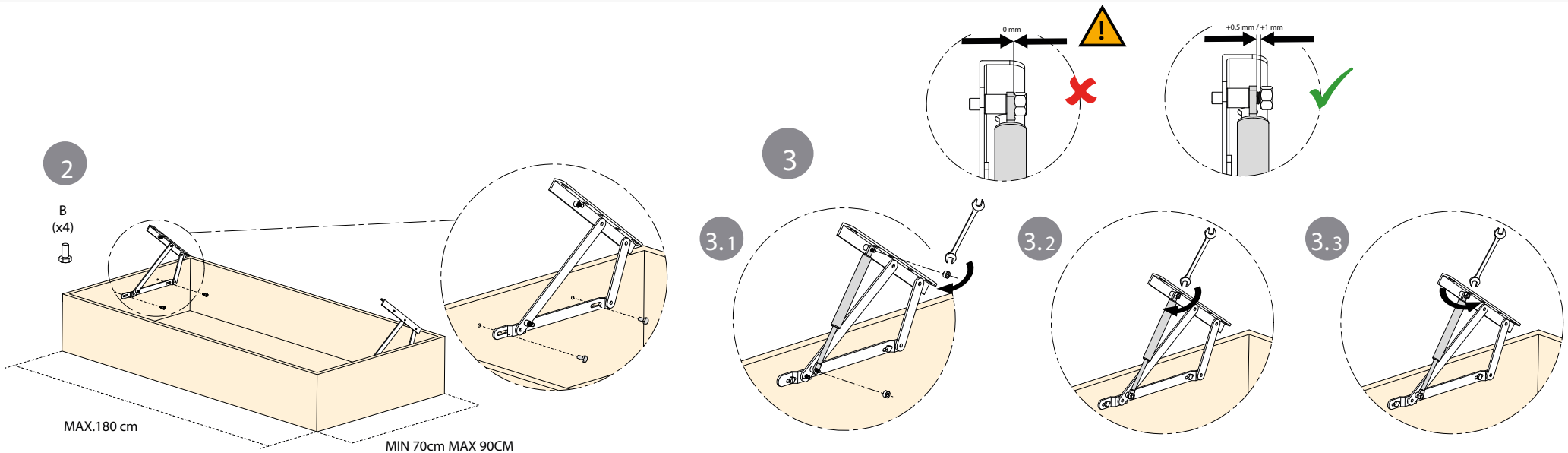


$A=29+S$
 $B=50+S$

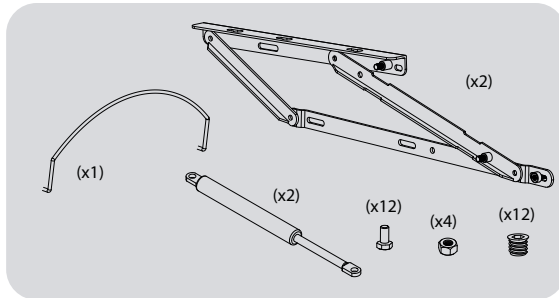
1.2

A (x8)

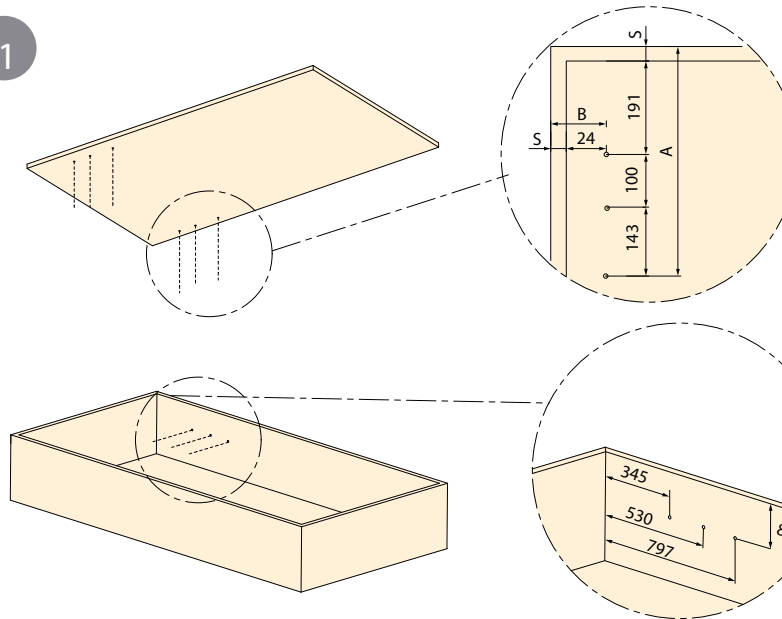




max. 60 kg



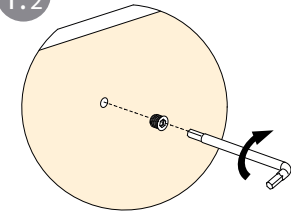
1



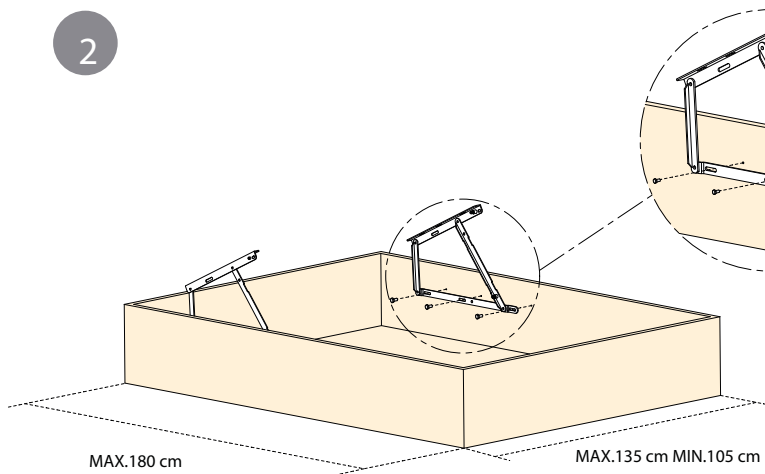
A=143+100+191+S
B=24+S

1.2

A
(x12)

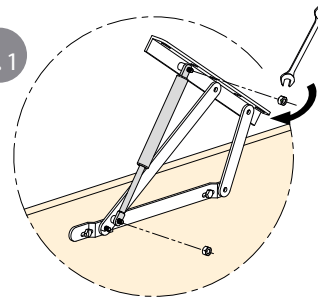


2

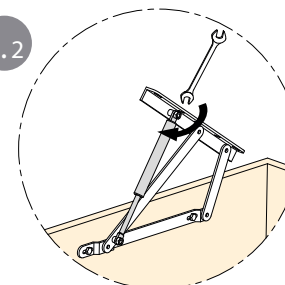


3

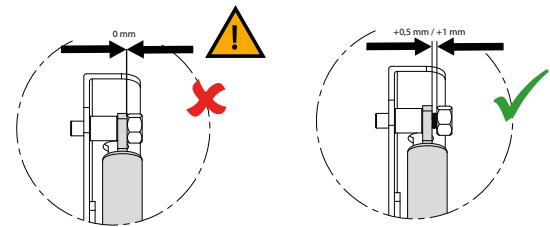
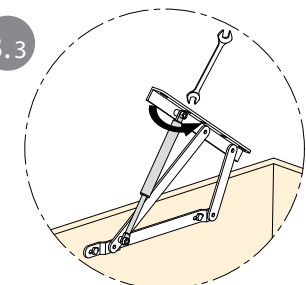
3.1



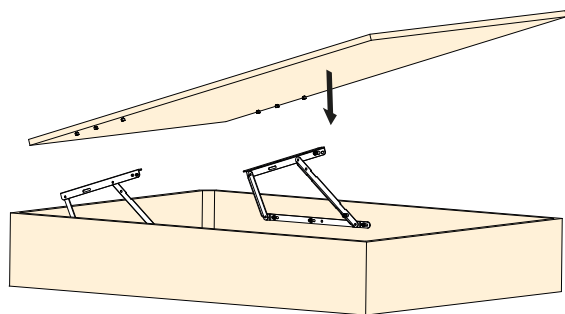
3.2



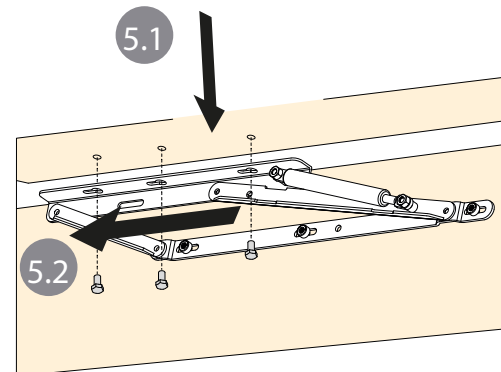
3.3



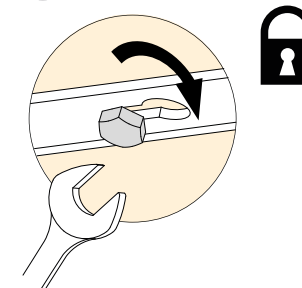
4



5



6



7

