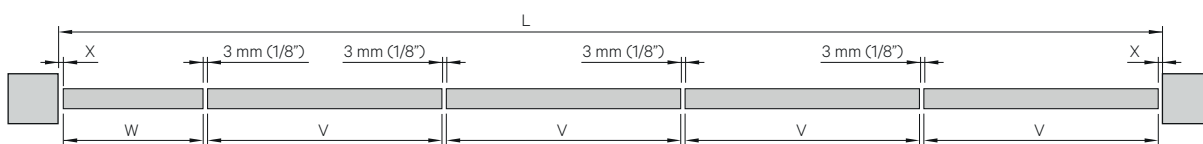
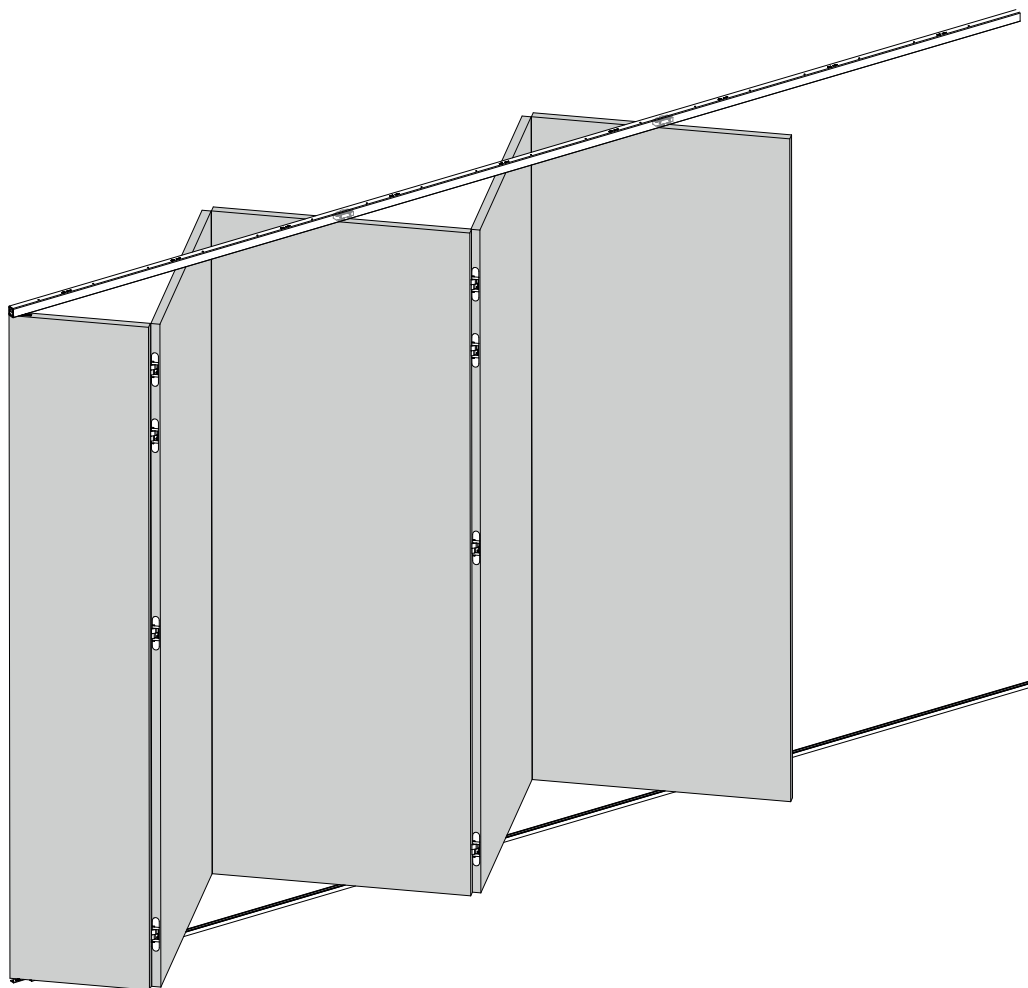


SLID FOLD 150 CENTRAL

Puertas plegables de madera
Wood Folding Doors

1 INSTALACIÓN / INSTALLATION



$$V = \frac{L - (47 \text{ mm} + 2X) - ((N-1) \times 3 \text{ mm})}{(N-0,5)} \quad W = \frac{V}{2} + 47 \text{ mm}$$

$$V = \frac{L - (1 \frac{7}{8}'' + 2X) - ((N-1) \times 1/8'')}{(N-0,5)} \quad W = \frac{V}{2} + 1 \frac{7}{8}''$$

V Min. = 350 mm (13 13/16")

V Max. = 1000 mm (3' 3 3/8")

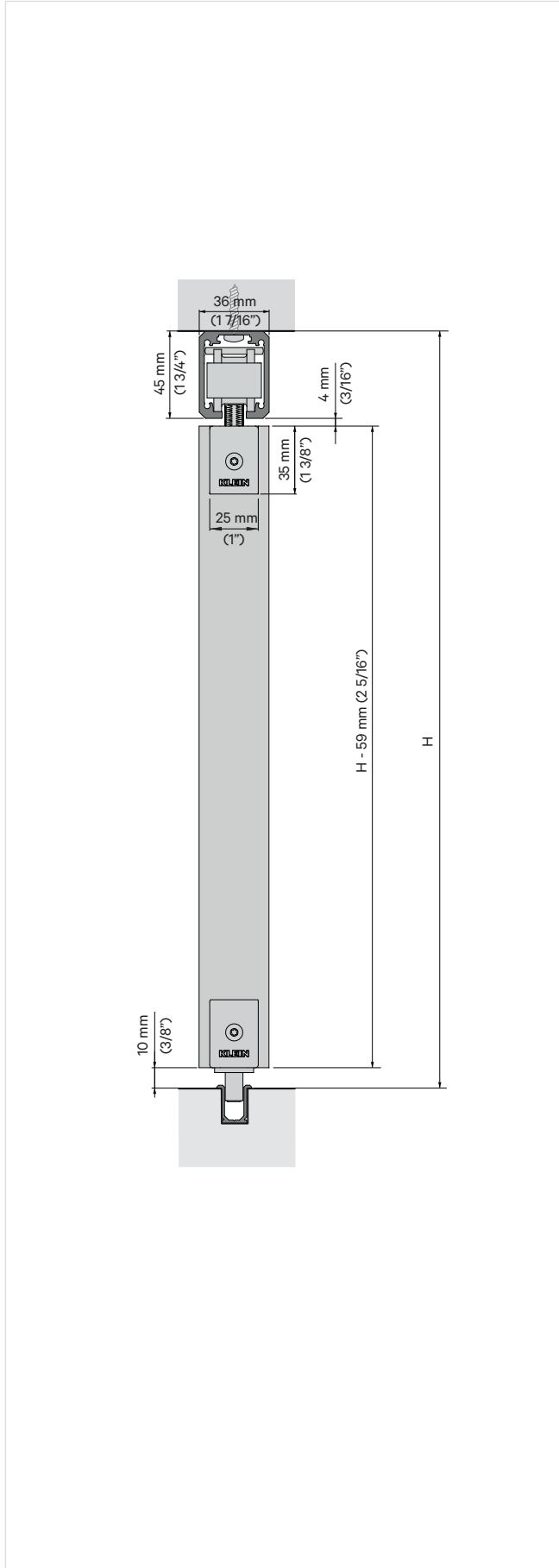
Espeor Puerta (Panel Thickness)	x
35 mm (1 3/8")	5 mm (3/16")
40 mm (1 9/16")	6 mm (1/4")
45 mm (1 3/4")	7 mm (9/32")
50 mm (2")	8 mm (5/16")

N = Número de hojas (Number of panels)

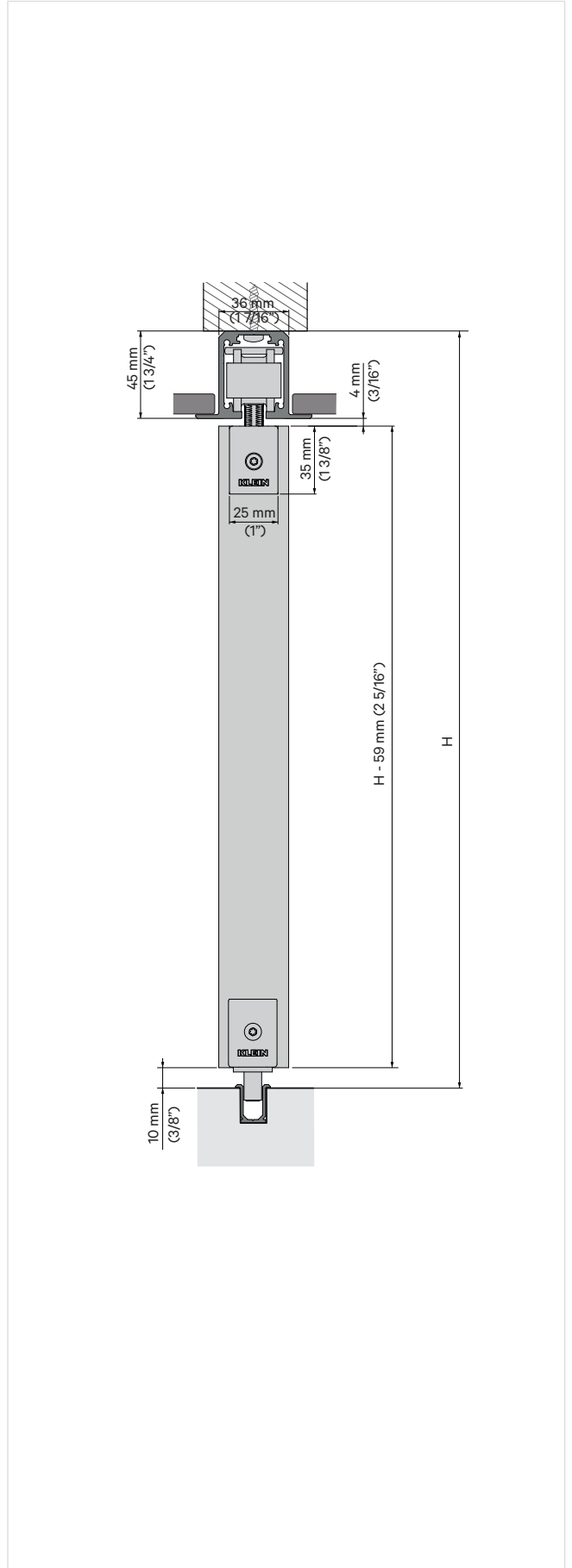
Dimensions in Inches are approximate

2 SECCIONES / SECTIONS

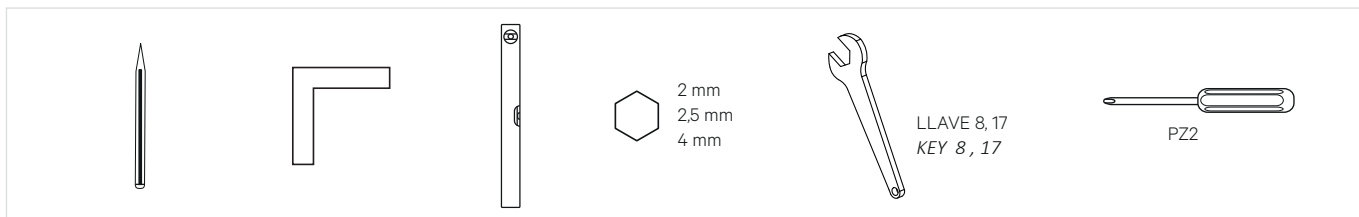
INSTALACIÓN VISTA /
EXPOSED INSTALLATION



INSTALACIÓN EMPOTRADA /
RECESSED INSTALLATION



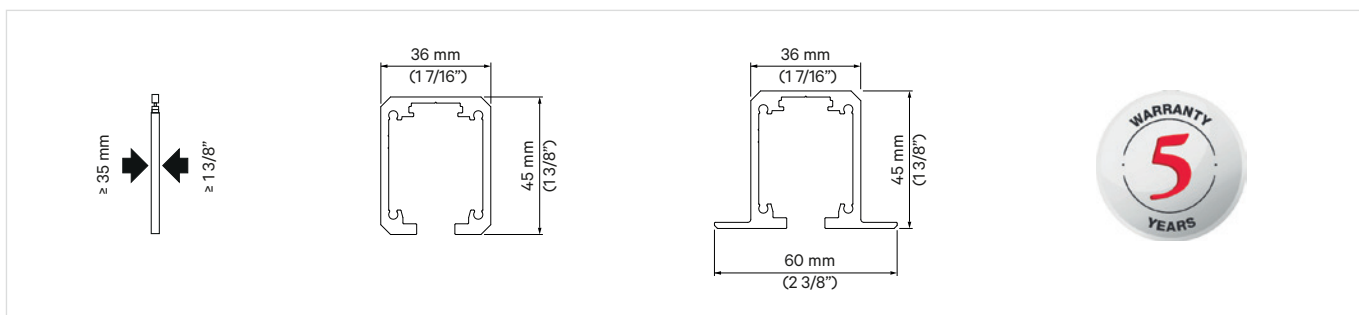
3 HERRAMIENTAS NECESARIAS / REQUIRED TOOLS



4 INFORMACIÓN GENERAL / GENERAL INFORMATION

La instalación de las bisagras con otros dispositivos (cierrapuertas, paragolpes, manillas antipánico, o burletes) se tendrá que ensayar a cargo del cliente.

The application of the concealed hinges combined with other devices (doors closers, bumpers, anti panic handles and doorstrips) has to be tested by the client.



PESO DE LAS HOJAS / PANELS WEIGHT

PESO TOTAL DE LAS HOJAS 150 Kg / TOTAL WEIGHT OF THE PANELS 331 lbs

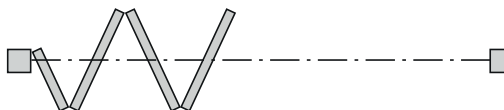
3 HOJAS / 3 PANELS

50 kg 110 lbs	50 kg 110 lbs	50 kg 110 lbs
------------------	------------------	------------------



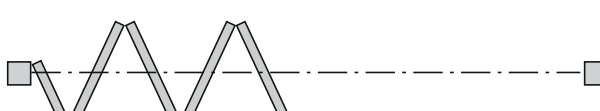
4 HOJAS / 4 PANELS

37 kg 81 lbs	37 kg 81 lbs	37 kg 81 lbs	37 kg 81 lbs
-----------------	-----------------	-----------------	-----------------



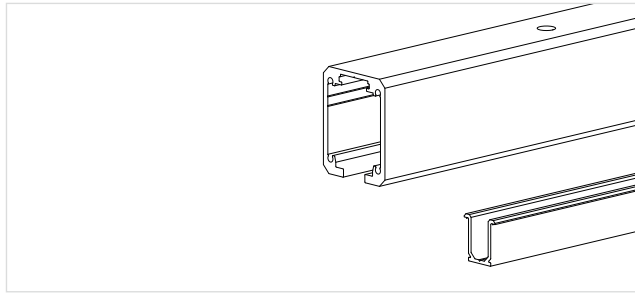
5 HOJAS / 5 PANELS

30 kg 66 lbs	30 kg 66 lbs	30 kg 66 lbs	30 kg 66 lbs	30 kg 66 lbs
-----------------	-----------------	-----------------	-----------------	-----------------

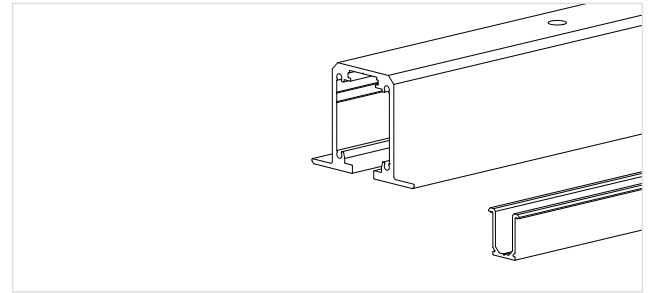


5 ELEMENTOS DE LA INSTALACIÓN / ITEMS OF INSTALLATION

KLEIN PERFILES SLID FOLD 150 / TRACKS SLID FOLD 150



KLEIN PERFILES SLID FOLD 150 TOP / TRACKS SLID FOLD 150 TOP



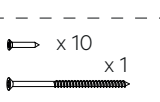
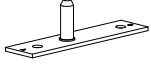
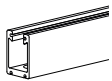
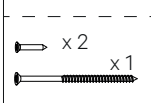
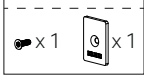
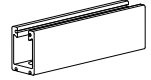
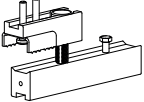
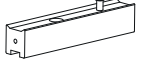
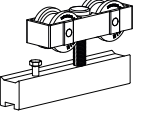
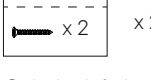
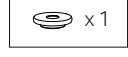

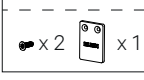
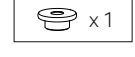
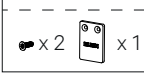
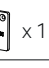

KLEIN JUEGO DE ACCESORIOS SLID FOLD 150 CENTRAL / SET OF ACCESORIES SLID FOLD 150 CENTRAL

3 PANELES / 3 PANELS **A+2C**

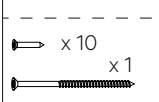
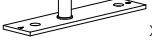
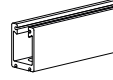
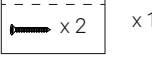
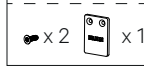

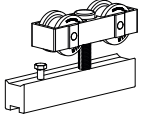
4 PANELES / 4 PANELS **A+B+3C**

5 PANELES / 5 PANELS **A+B+4C**

KLEIN CAJA A / BOX A

Bolsa de tornillos retrac Screws bag retrac  x10 x1	Pivote inferior Bottom pivot  x1
Perfil retrac 2 Retrac profile 2  x1	Bolsa de tornillos retrac Screws bag retrac  x2 x1
Tapas laterales retrac End caps for retrac profile  x1 x1 x2	Perfil retrac 1 Retrac profile 1  x2
Pivote Superior Upper pivot  x1	Cjto. Suspensión Suspension set  x1
Roller Roller  x1	Bolsa de tornillos Screws bag  x2 x2
Rueda estabilizador 1 Stabilising wheel 1  x1	Guiador inferior Bottom guide  x1
Tapas laterales retrac 2 End caps for retrac profile 2  x2 x1	Rueda estabilizador 2 Stabilising wheel 2  x1
 x2  x1 x1	Instrucciones Instructions  x1

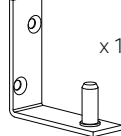
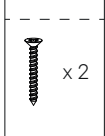
KLEIN CAJA B / BOX B

Bolsa de tornillos retrac Screws bag retrac  x10 x1	Pivote inferior Bottom pivot  x1
Perfil retrac 2 Retrac profile 2  x1	Bolsa de tornillos Screws bag  x2 x1
Tapas laterales retrac 2 End caps for retrac profile 2  x2 x1 x1	Guiador inferior Bottom guide  x1
Roller Roller  x1	

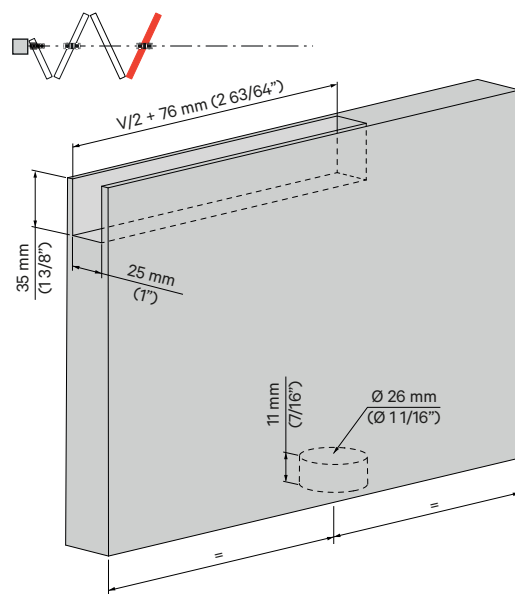
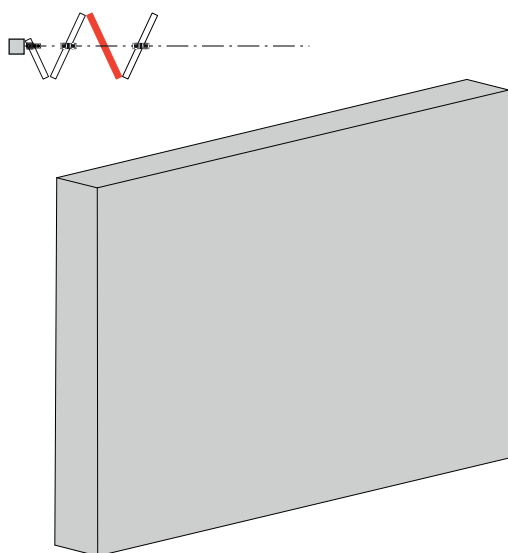
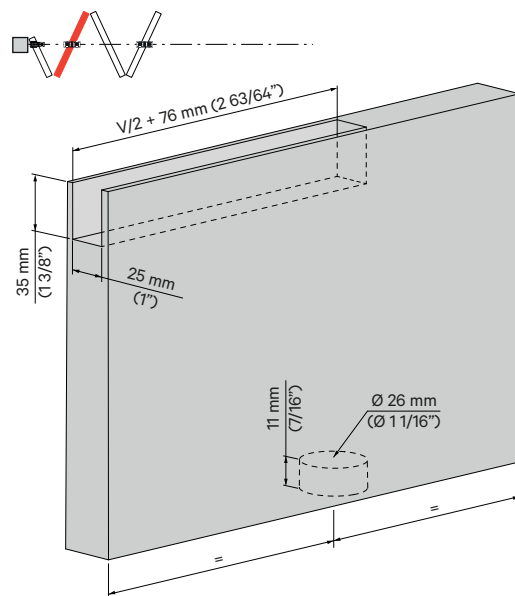
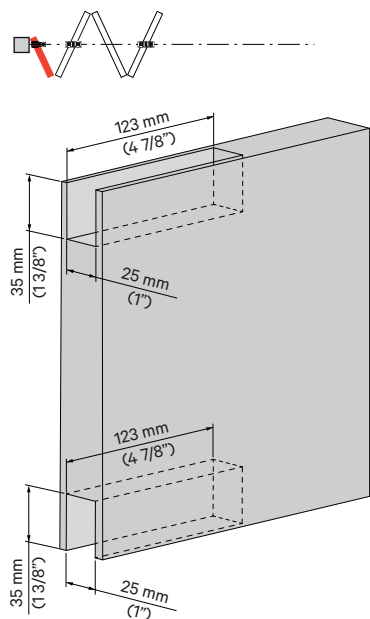
KLEIN CAJA C / BOX C

Bisagra Hinge  x4
Tapas bisagra Hinge  x2 x2 x4
Bolsa tornillos para 2 bisagras Screws bag for 2 hinges  x4 x4 x2

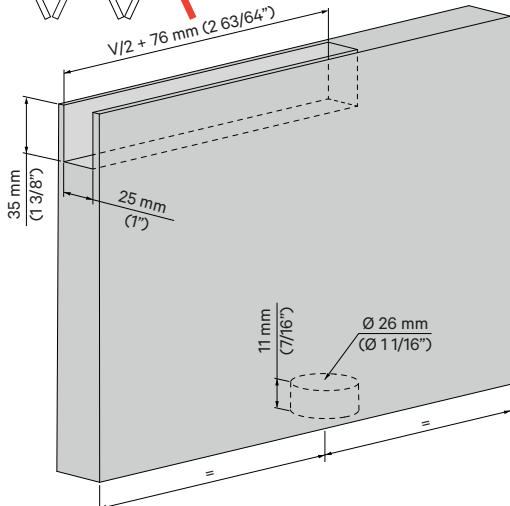
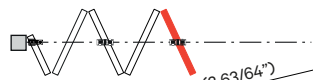
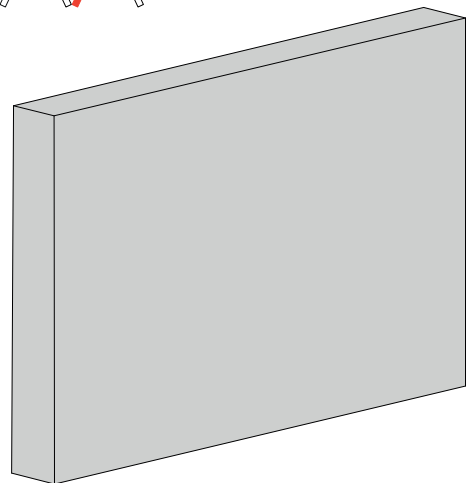
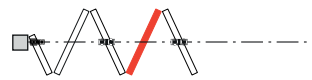
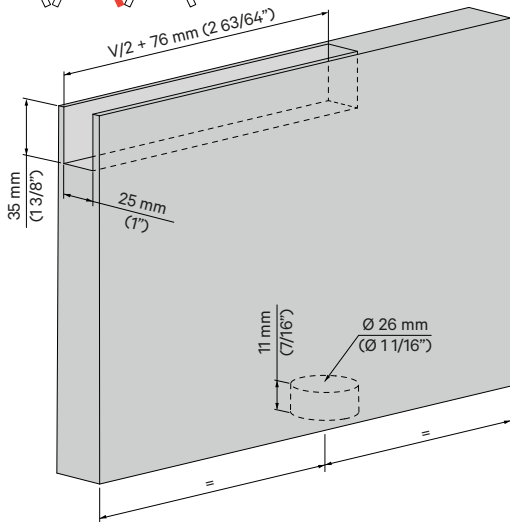
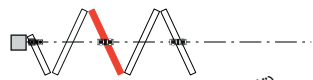
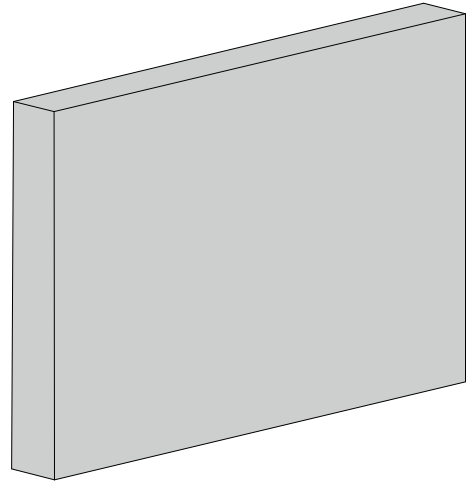
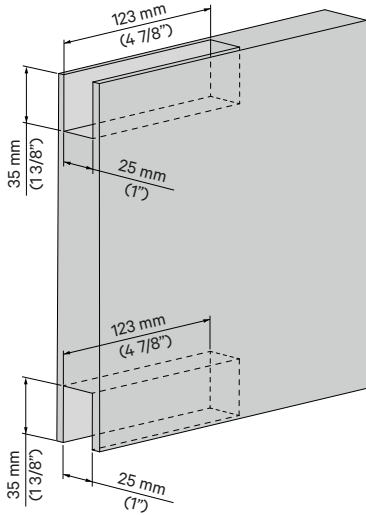
KLEIN OPCIONAL / OPTIONAL

Pivote inferior a pared Wall bottom pivot  x1	 x2 x1
--	---

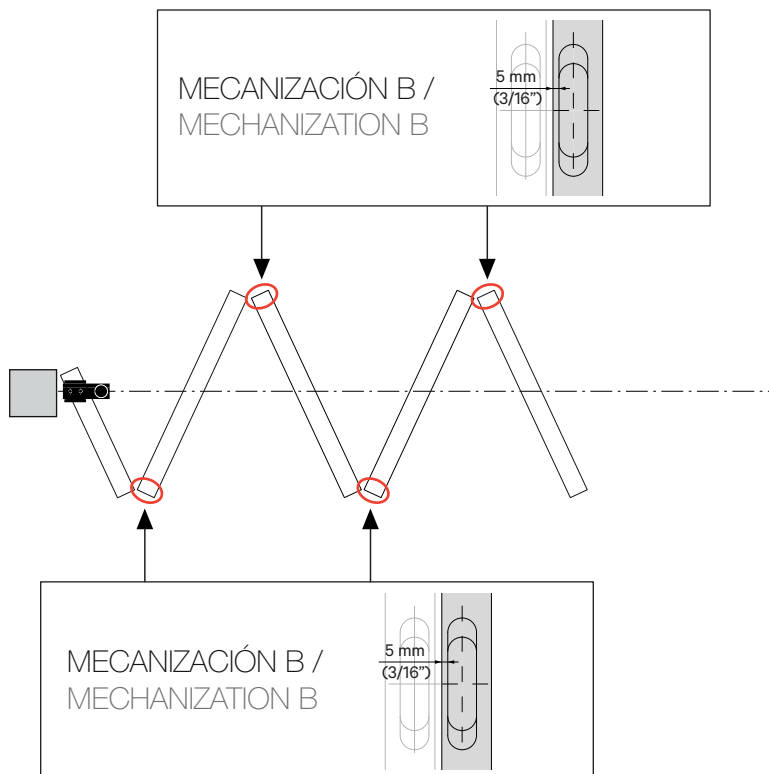
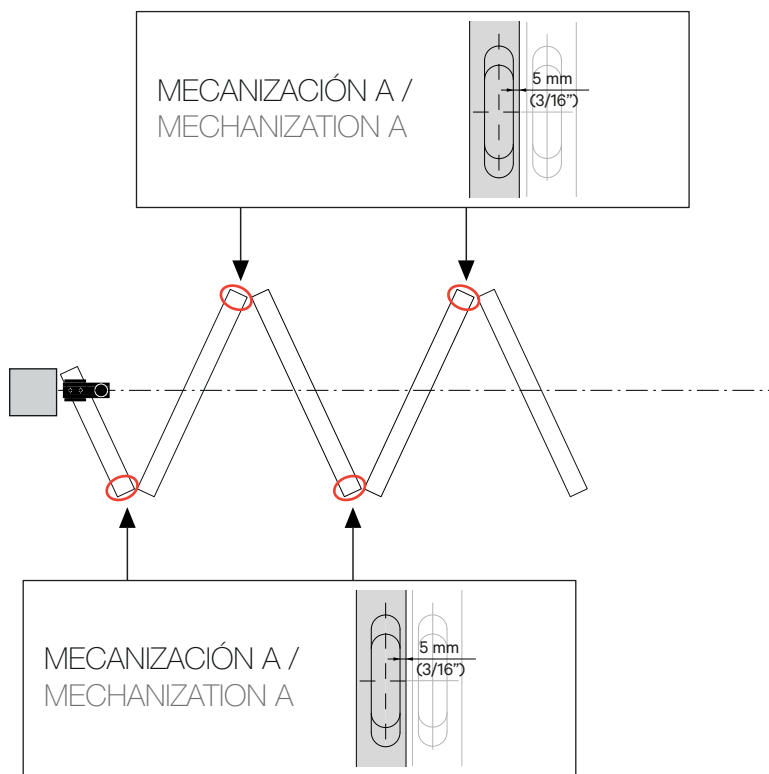
6 MECANIZACIÓN 1 DE LOS PANELES PARA 4 HOJAS / PANEL FABRICATION 1 FOR 4 PANELS



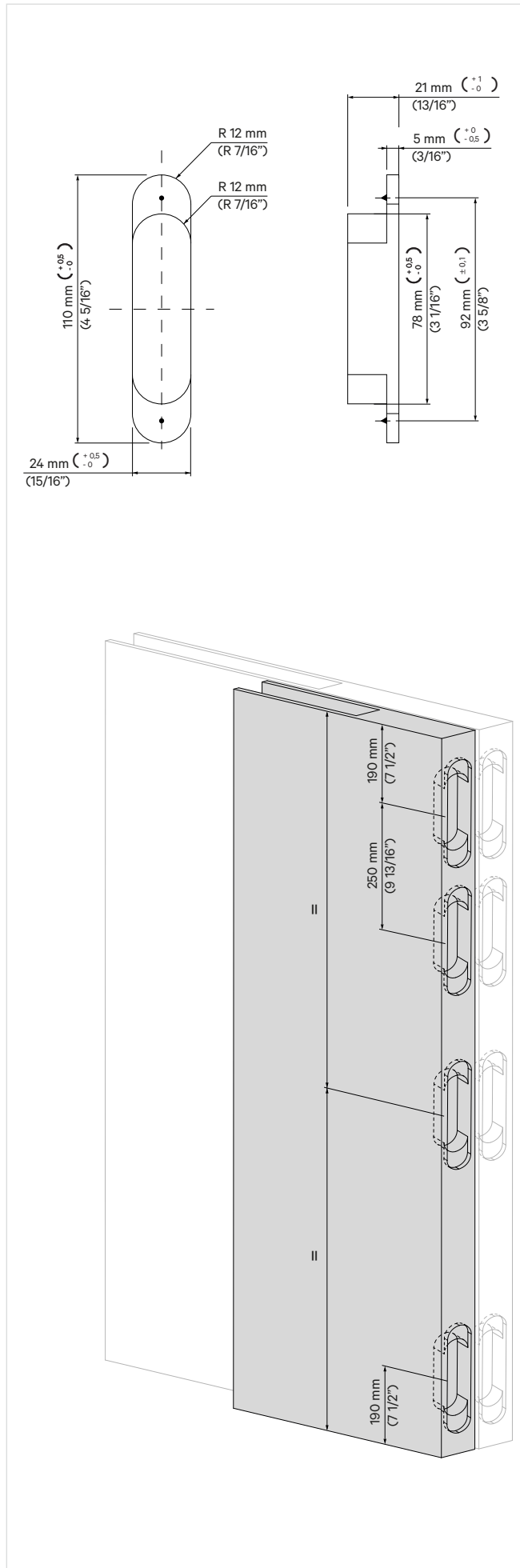
7 MECANIZACIÓN 1 DE LOS PANELES PARA 3-5 HOJAS / PANEL FABRICATION 1 FOR 3-5 PANELS



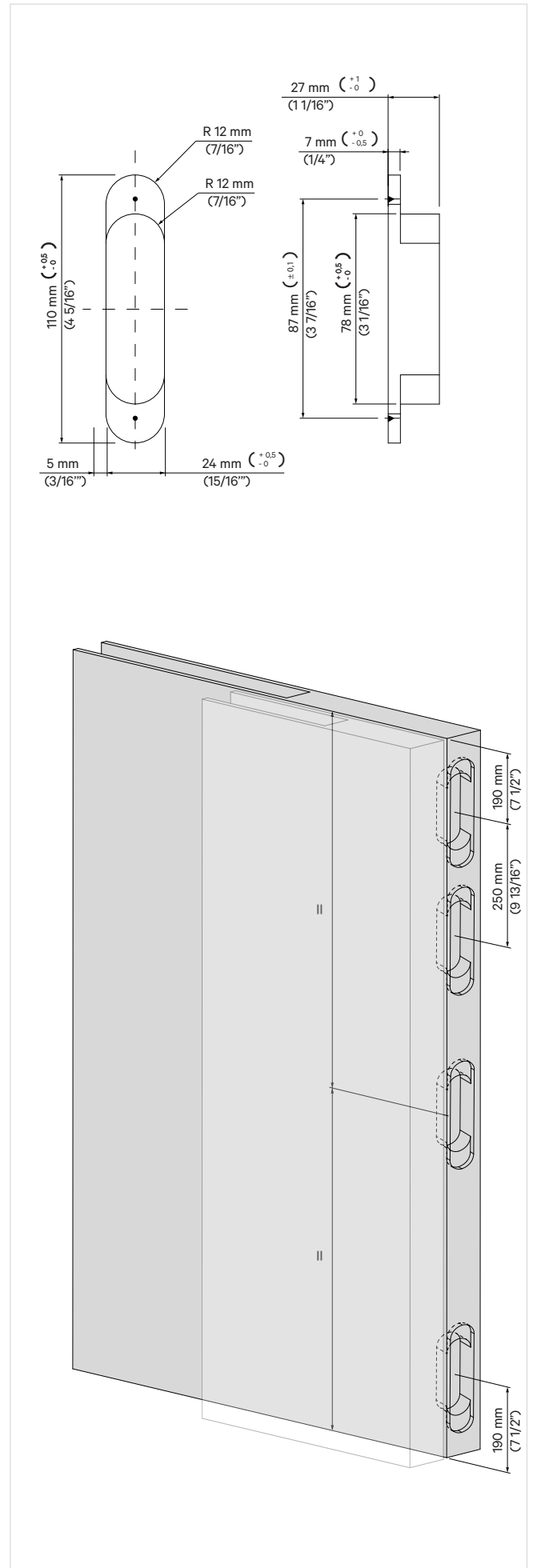
8 MECANIZACIÓN 2 DE LOS PANELES / PANEL FABRICATION 2



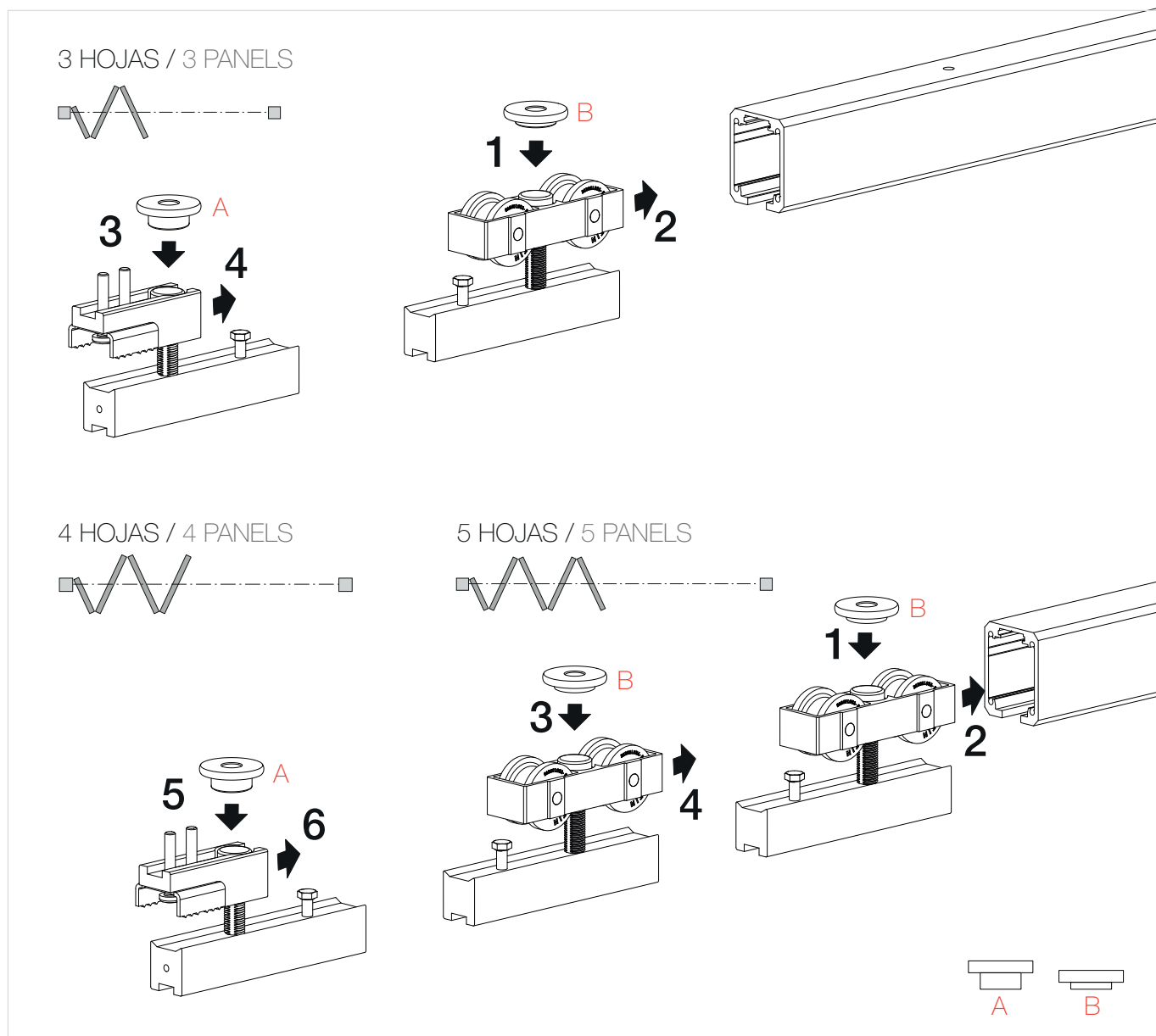
MECANIZACIÓN A / MECHANIZATION A



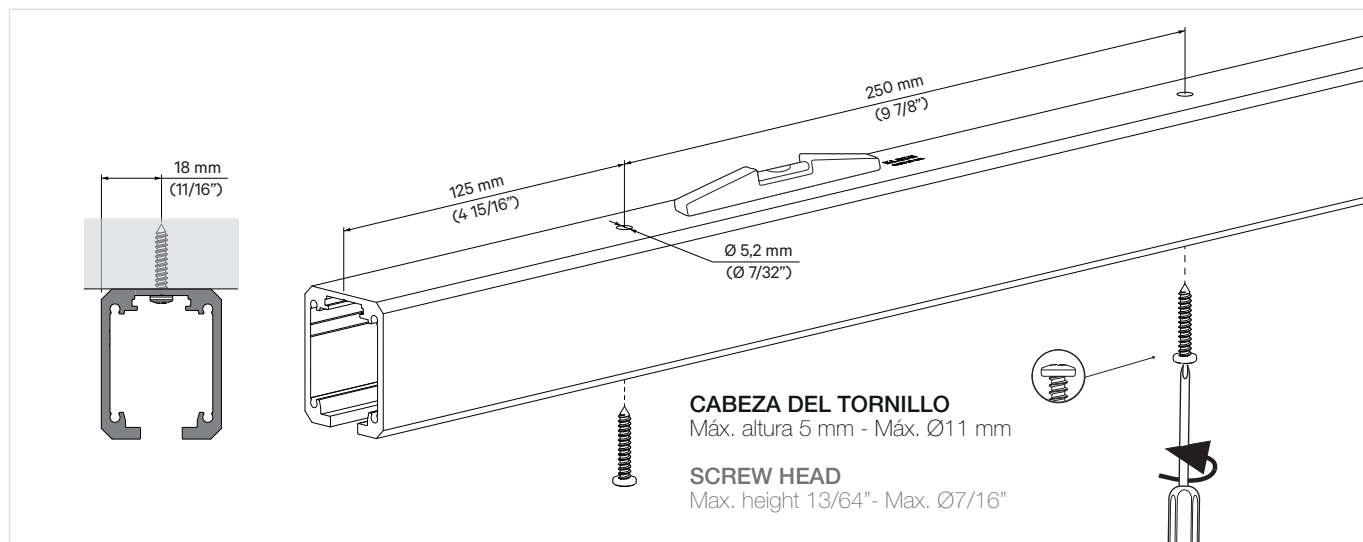
MECANIZACIÓN B / MECHANIZATION B



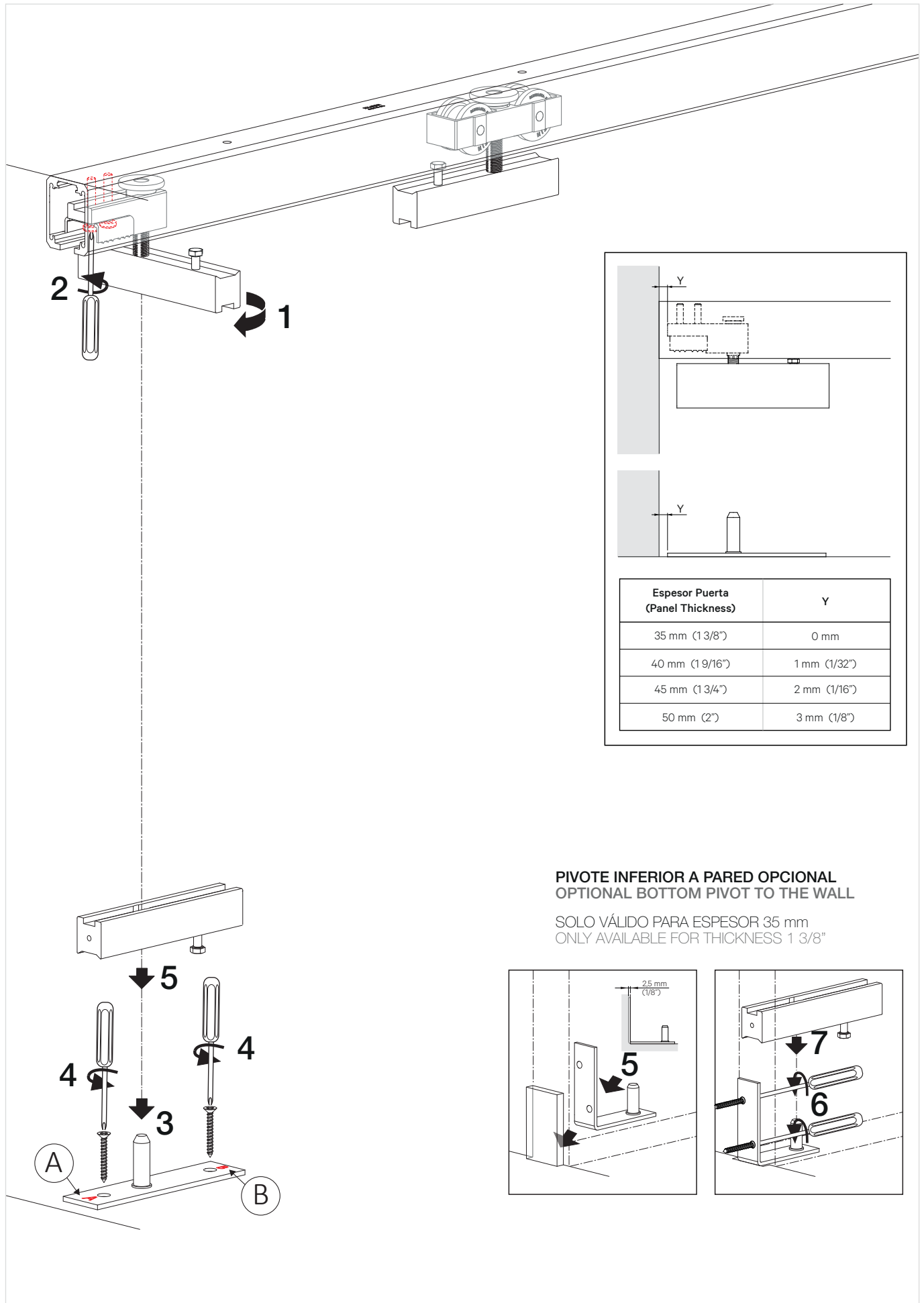
9 COLOCACIÓN DE LOS ROLLERS Y EL PIVOTE SUPERIOR / MOUNTING OF ROLLERS AND UPPER PIVOT



10 MONTAJE DEL PERFIL SUPERIOR / UPPER TRACK MOUNTING



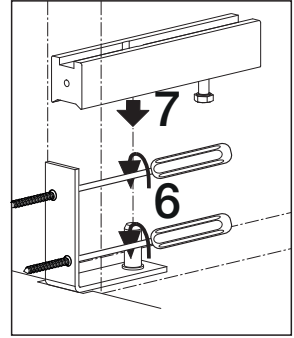
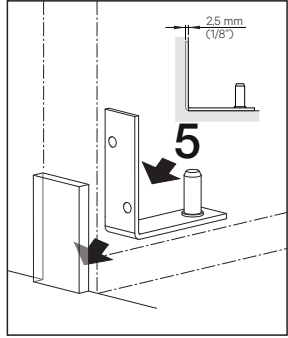
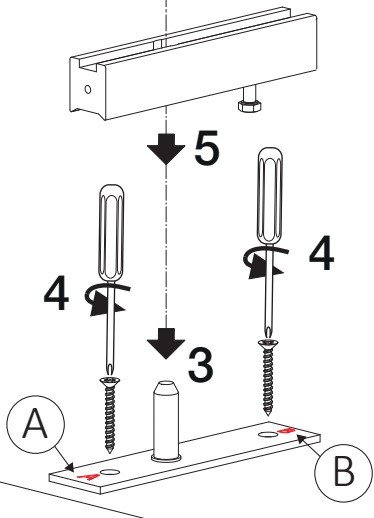
11 FIJACIÓN PIVOTES / PIVOT ADJUSTING



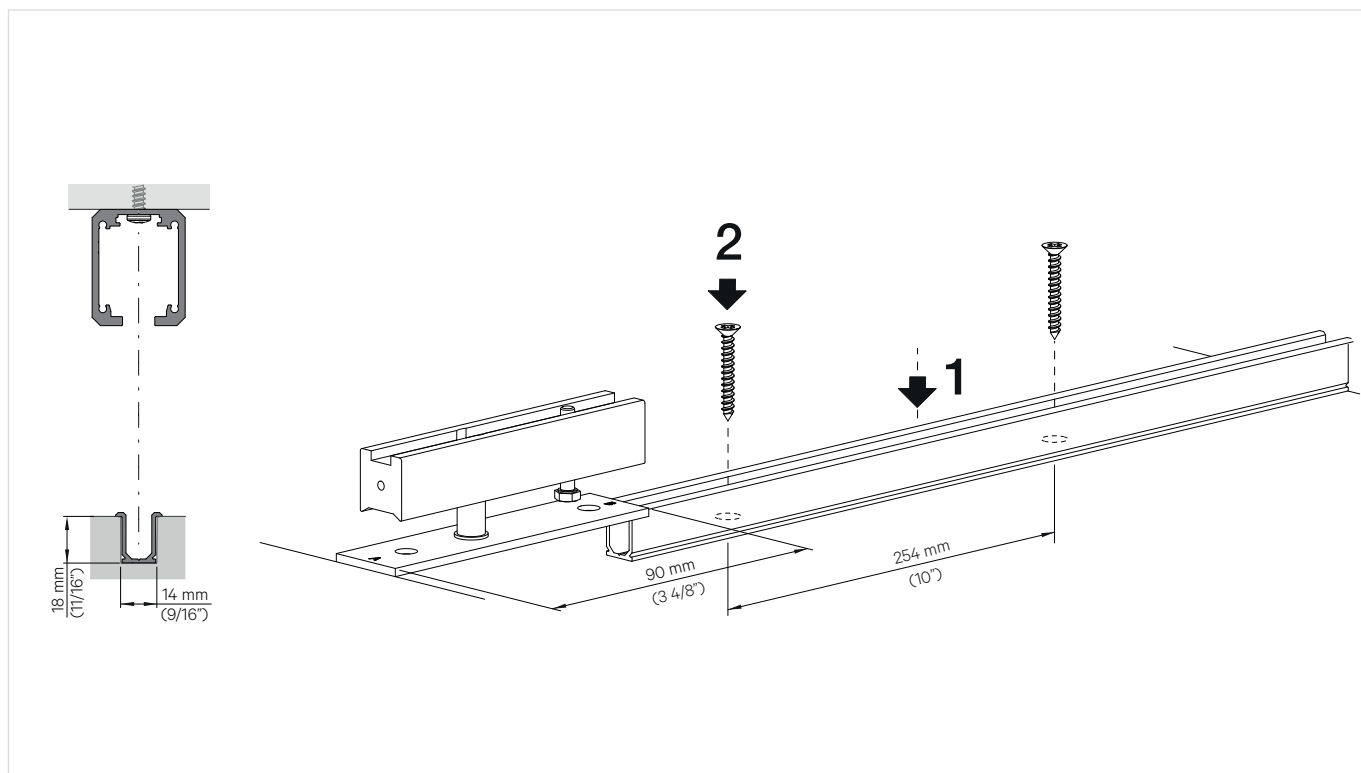
Esesor Puerta (Panel Thickness)	Y
35 mm (13/8")	0 mm
40 mm (19/16")	1 mm (1/32")
45 mm (13/4")	2 mm (1/16")
50 mm (2")	3 mm (1/8")

PIVOTE INFERIOR A PARED OPCIONAL OPTIONAL BOTTOM PIVOT TO THE WALL

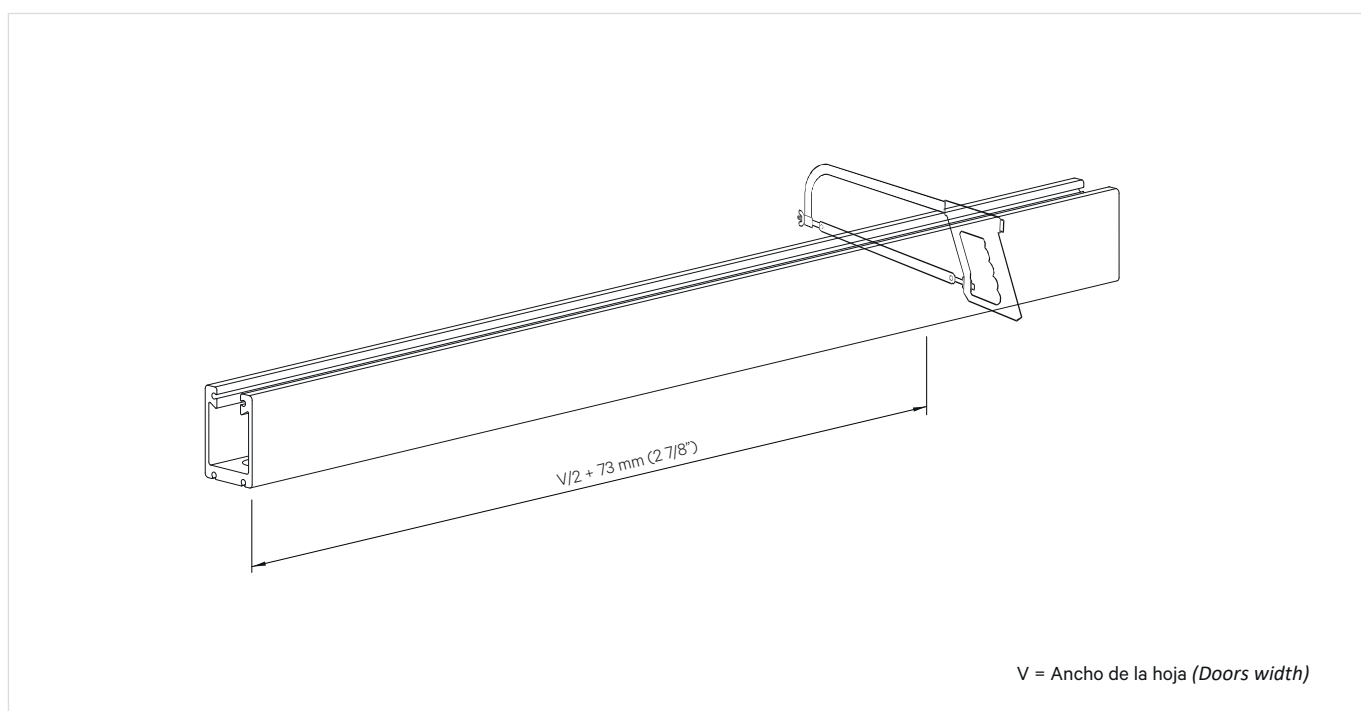
SOLO VÁLIDO PARA ESPESOR 35 mm
ONLY AVAILABLE FOR THICKNESS 1 3/8"



12 MONTAJE DEL PERFIL INFERIOR / BOTTOM TRACK MOUNTING

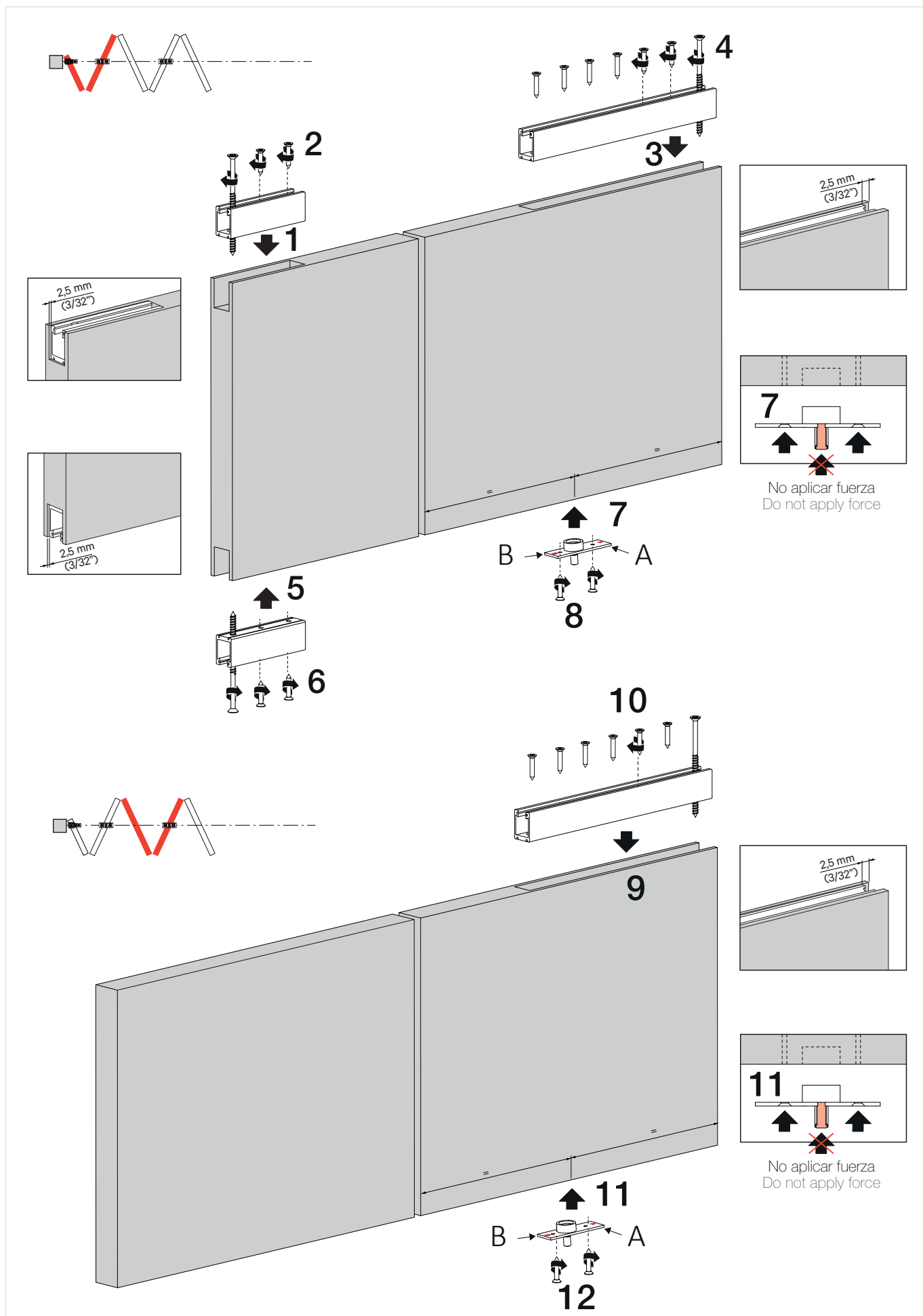


13 CORTA PERFIL RETRAC / CUT RETRAC PROFILE

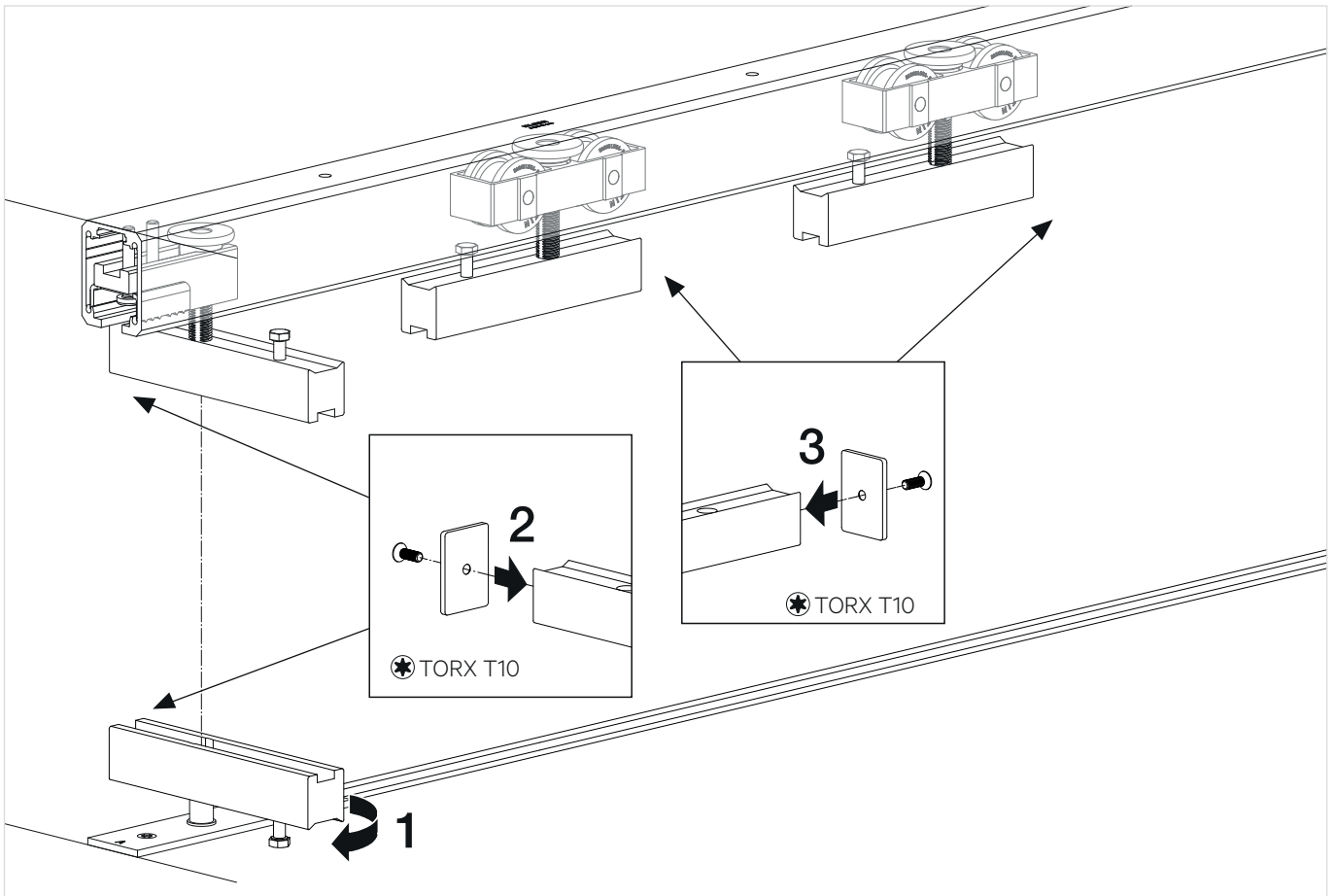


**PARA INSTALACIÓN FOLD 4
HOJAS**
FOR INSTALLATION FOLD 4
PANELS

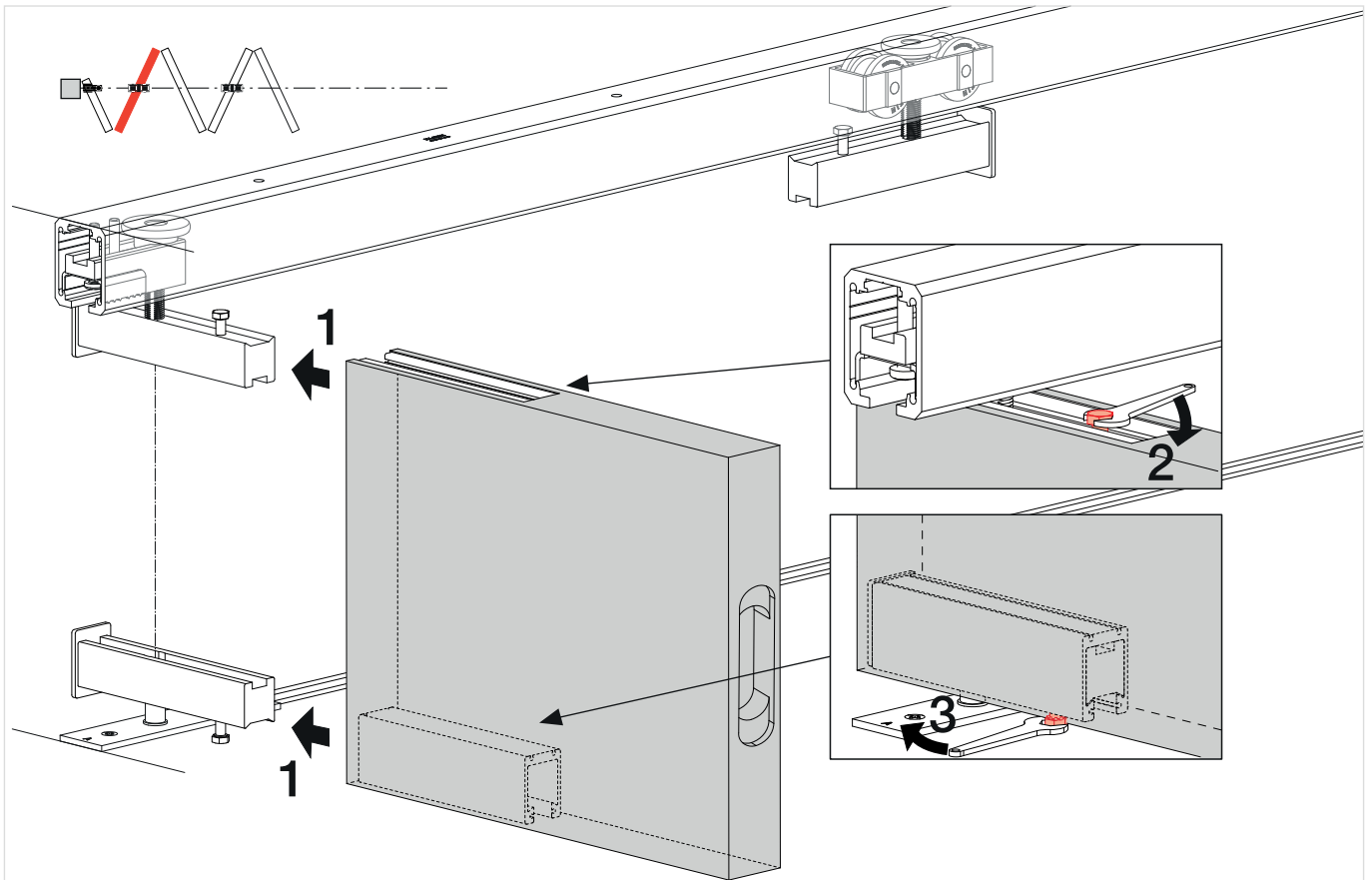
14 COLOCACIÓN GUIAS SOPORTE / SUPPORT TRACK MOUNTING



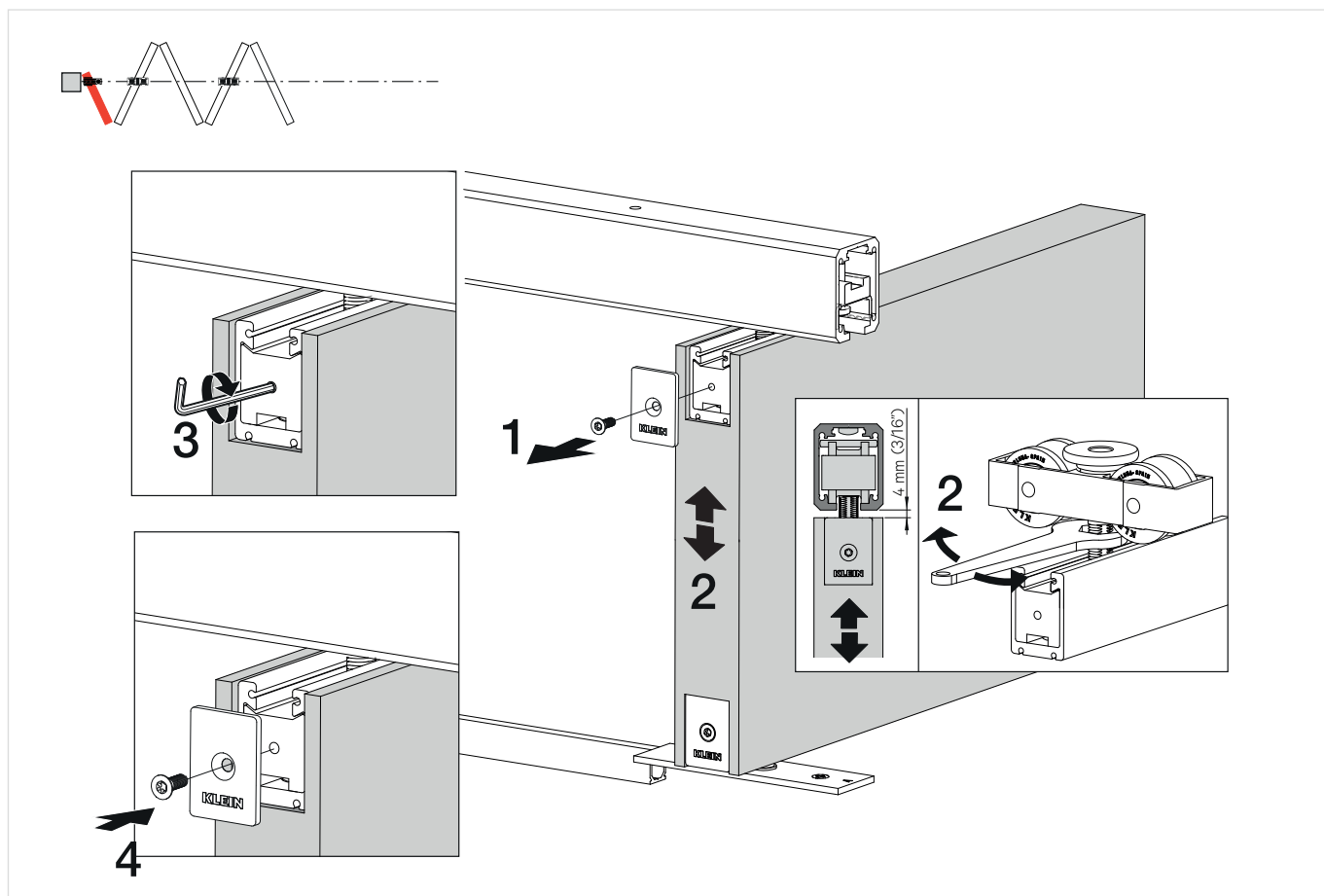
15 COLOCACIÓN TAPAS LATERALES / END CAPS MOUNTING



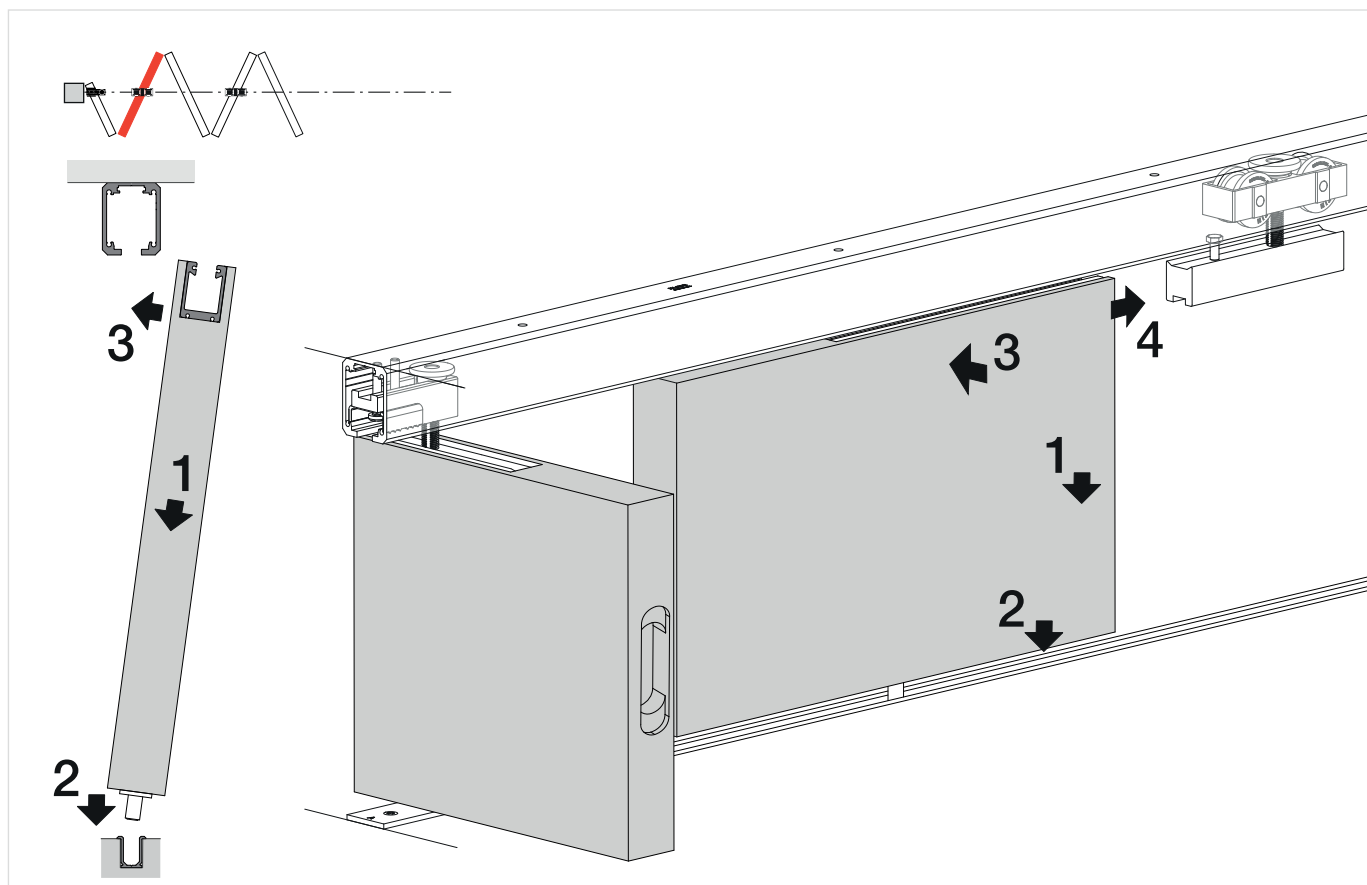
16 COLOCACIÓN PANEL 1 / PLACEMENT OF PANEL 1



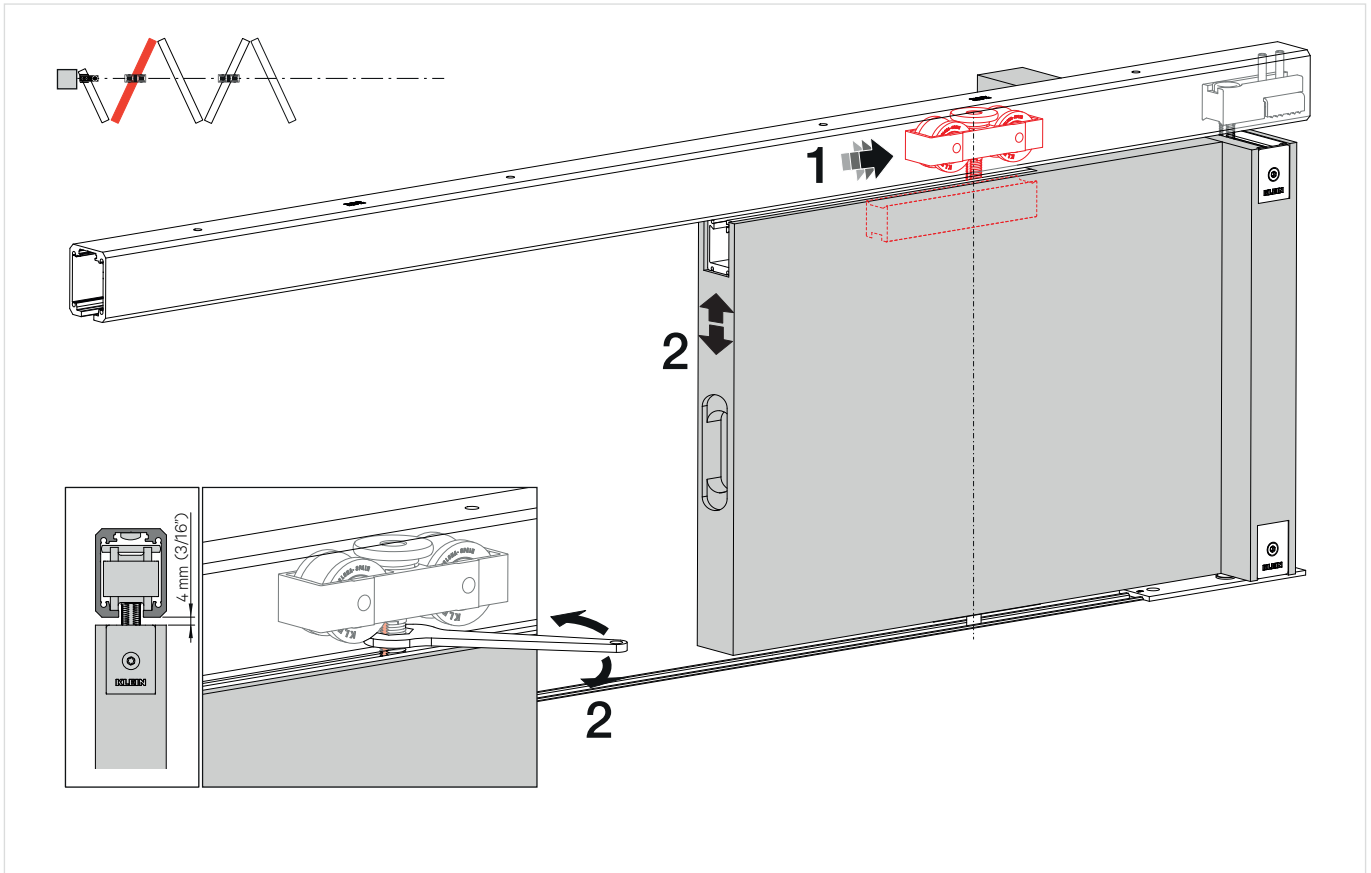
17 REGULACIÓN EN ALTURA P1 / HEIGHT ADJUSTMENT P1



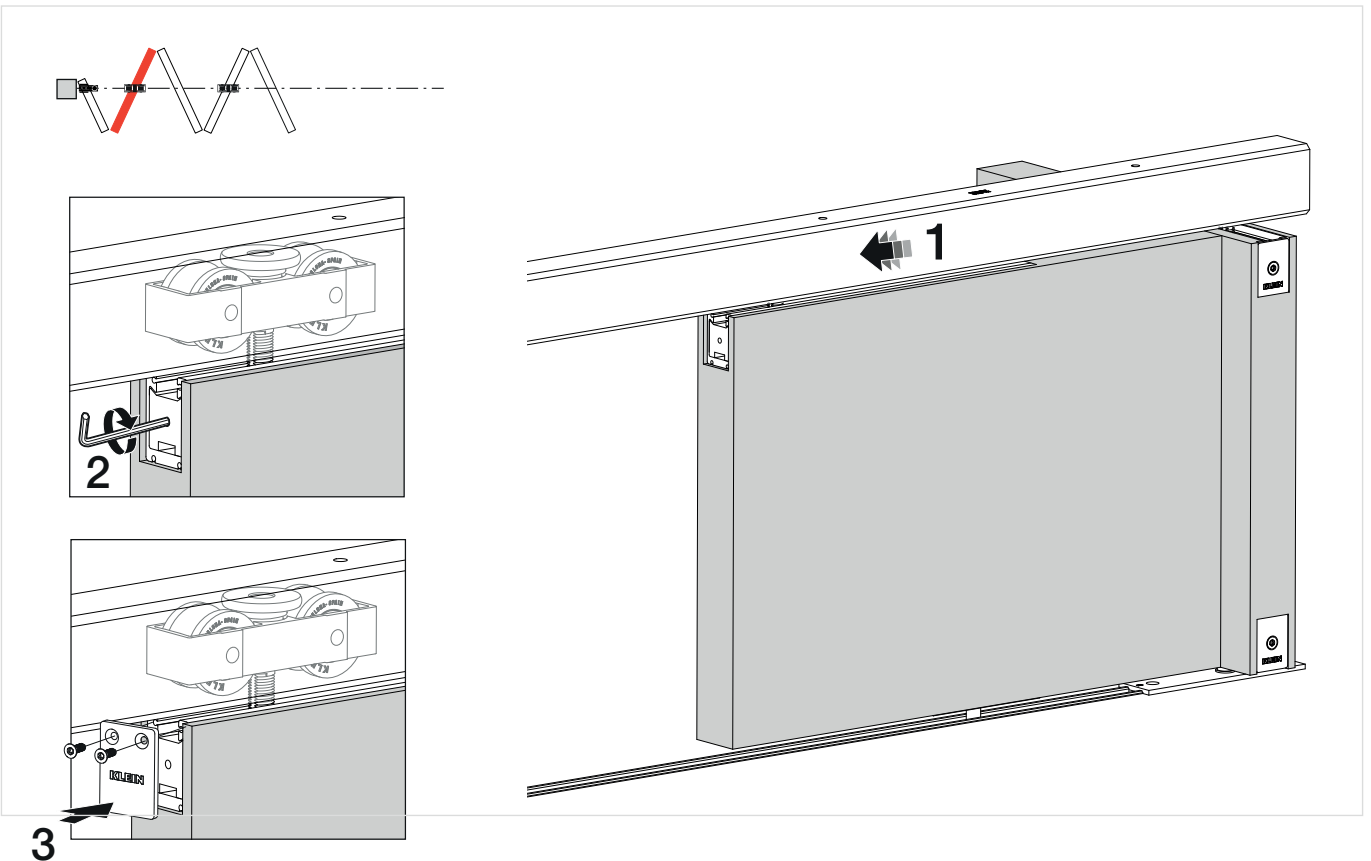
18 COLOCACIÓN PANEL 2 / PLACEMENT OF PANEL 2



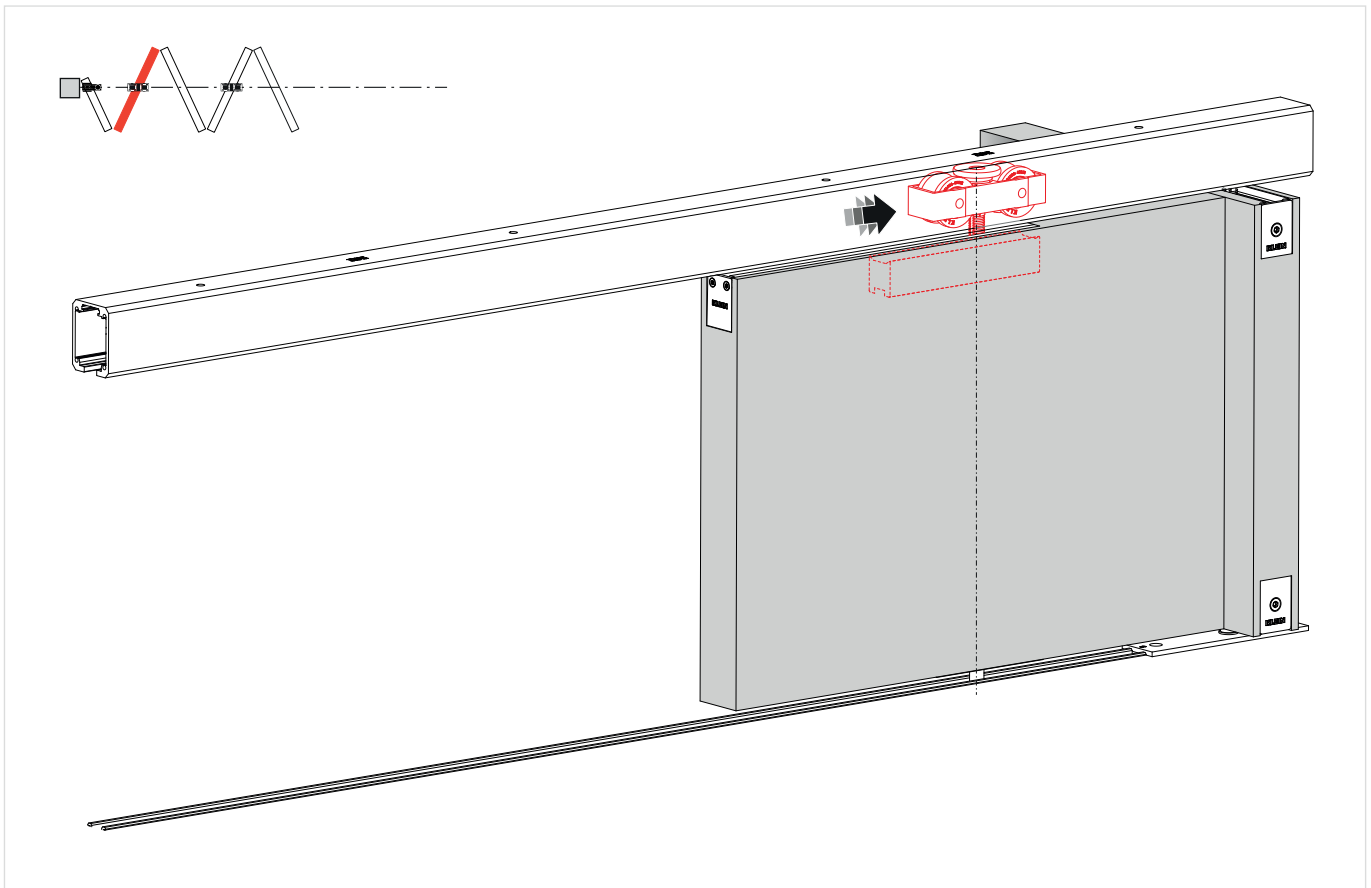
19 REGULACIÓN EN ALTURA P2 / HEIGHT ADJUSTMENT P2



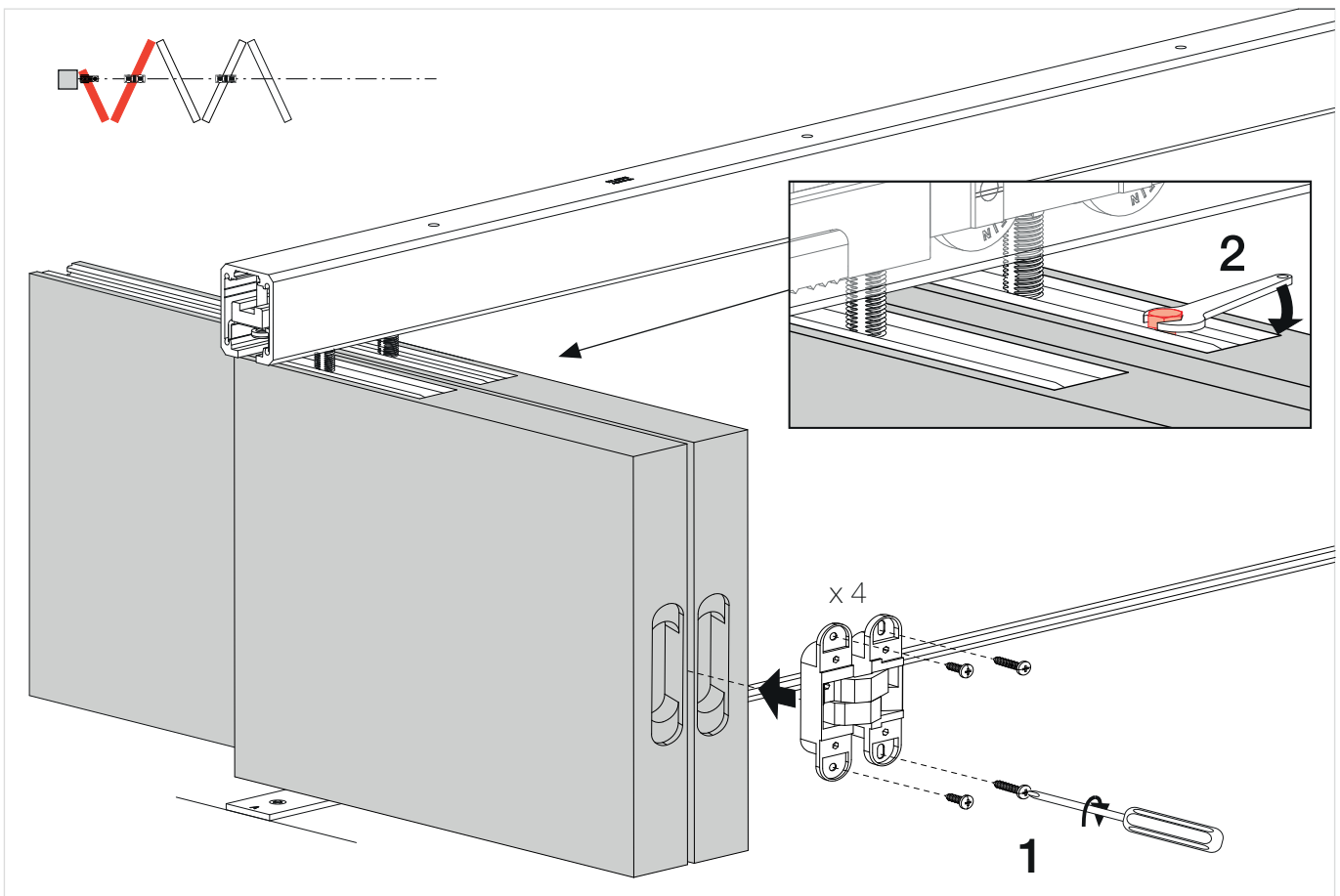
20 FIJACIÓN REGULACIÓN EN ALTURA P2 / FIX HEIGHT ADJUSTMENT P2



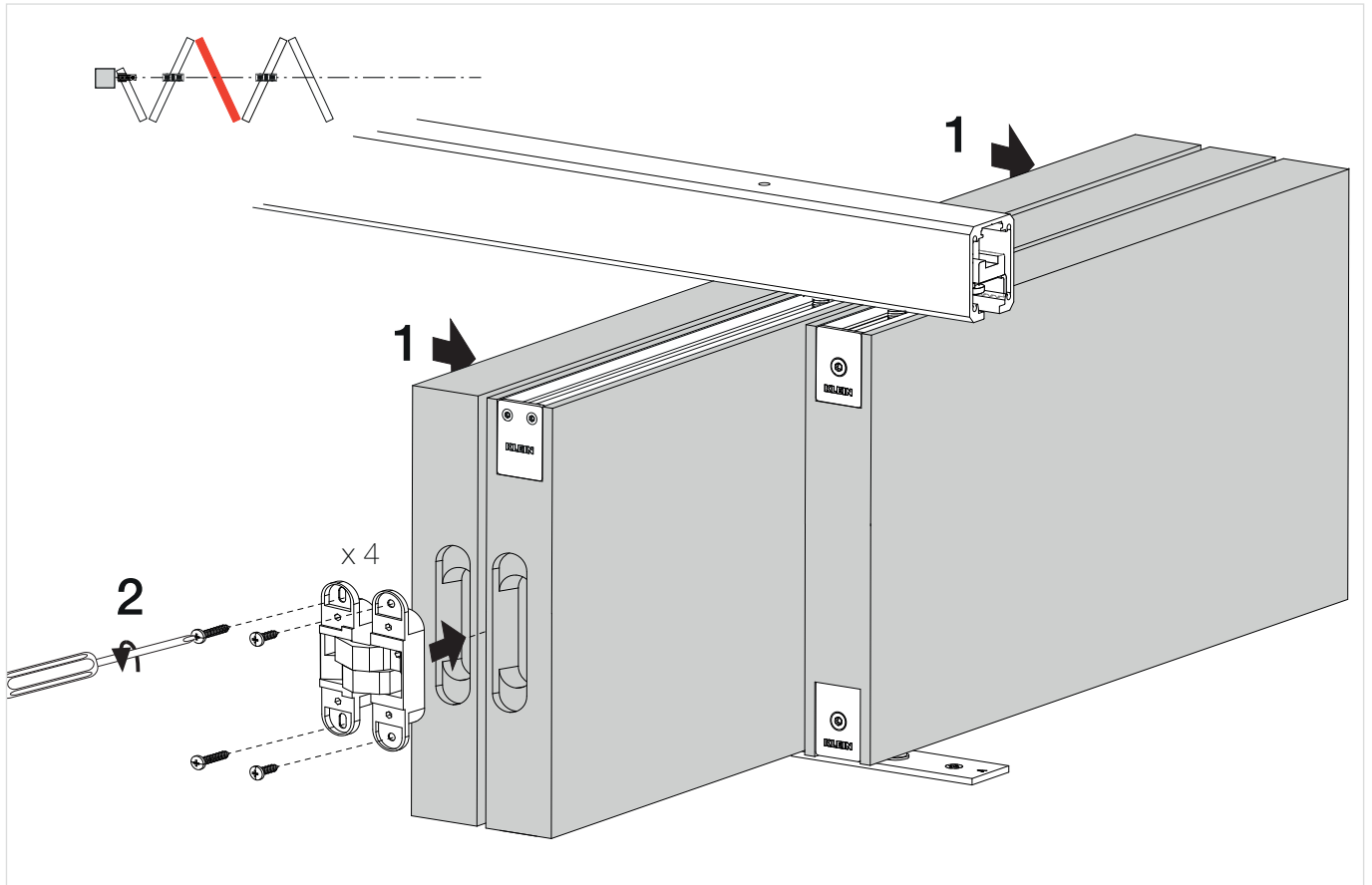
21 COLOCACIÓN ROLLER P2 / ROLLER PLACEMENT OF P2



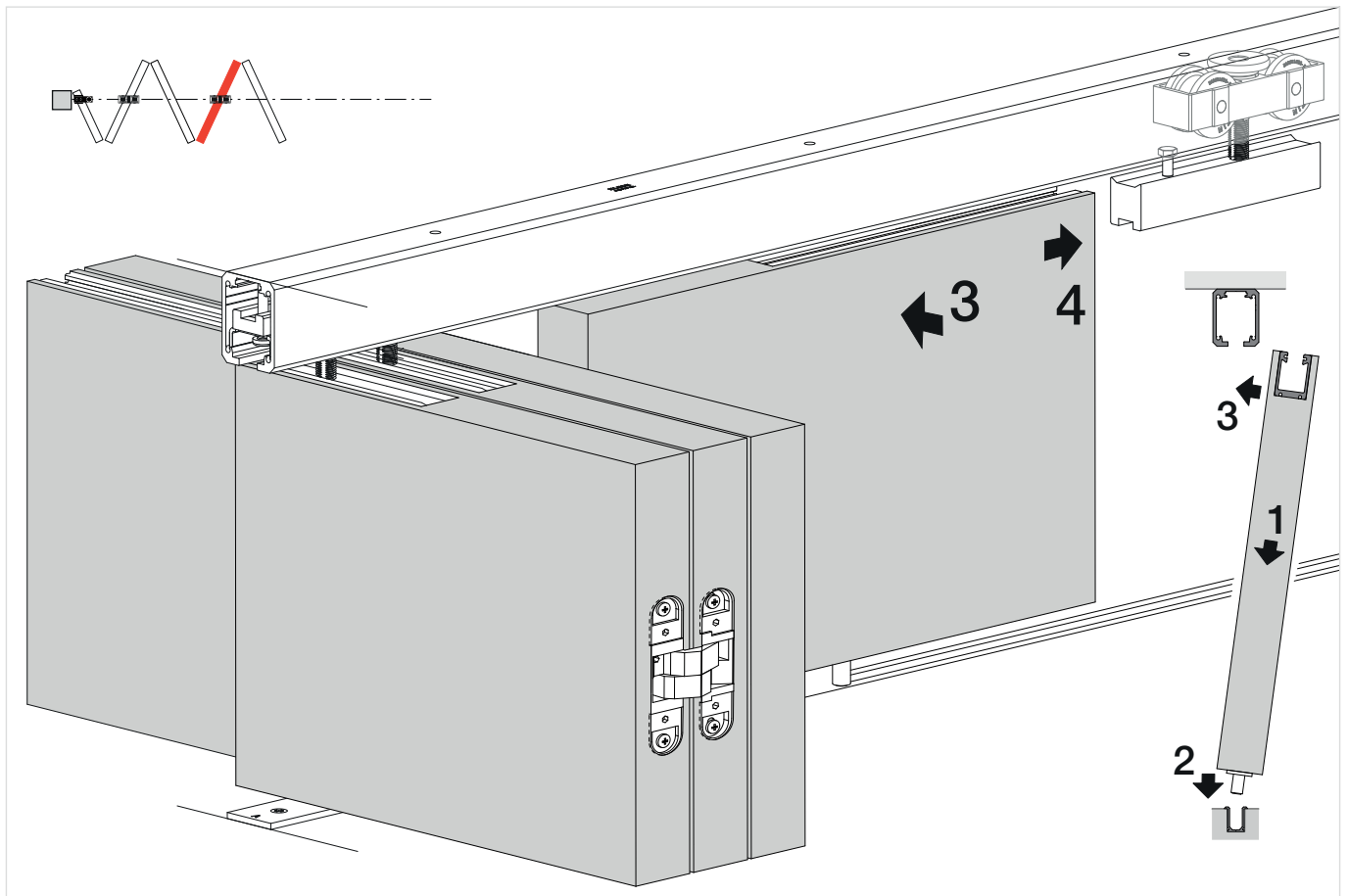
22 COLOCACIÓN DE LAS BISAGRAS P2 / HINGE P2 PLACEMENT



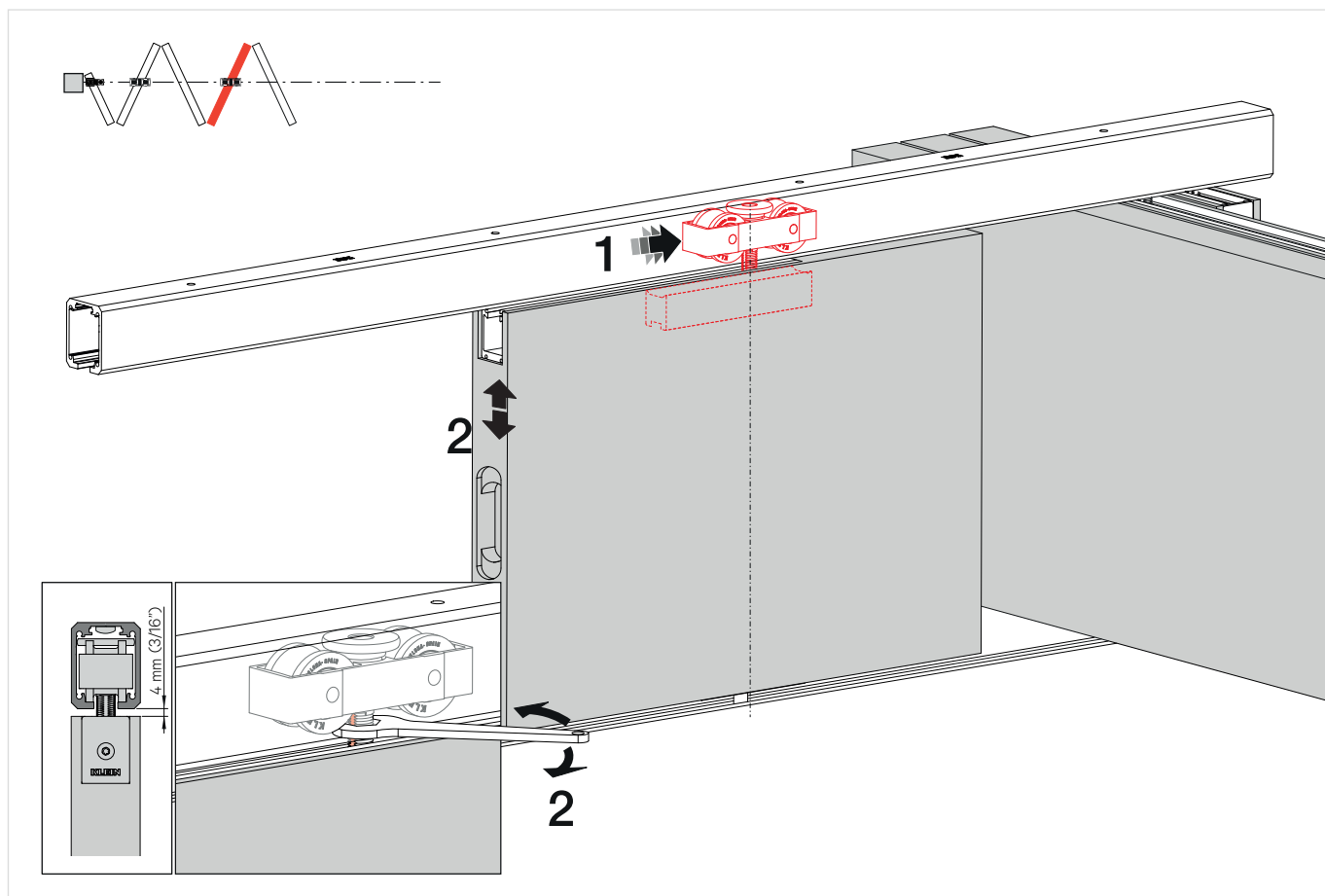
23 COLOCACIÓN DE LAS BISAGRAS P3 / HINGE P3 PLACEMENT



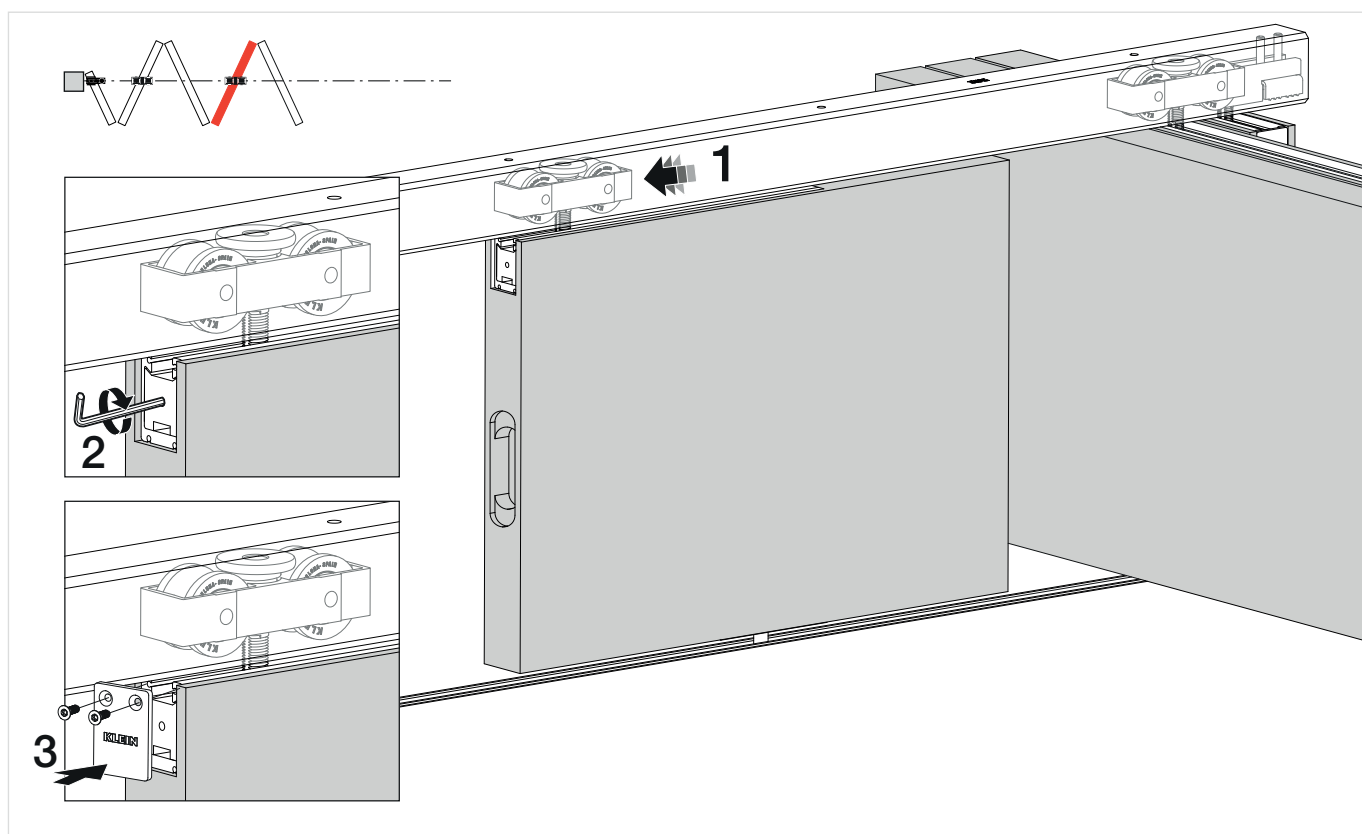
24 COLOCACIÓN PANEL 4 / PLACEMENT OF PANEL 4



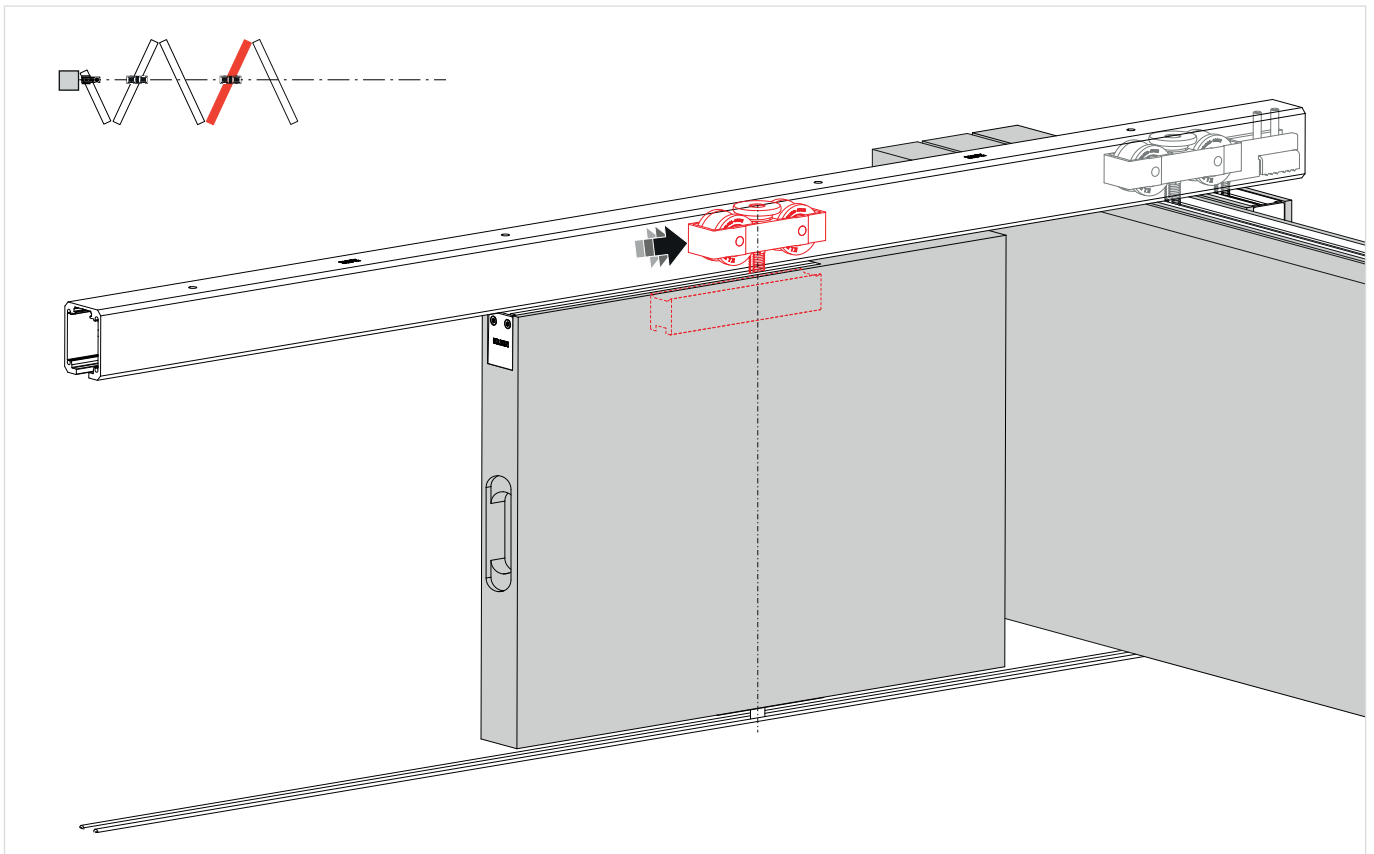
25 REGULACIÓN EN ALTURA P4 / HEIGHT ADJUSTMENT P4



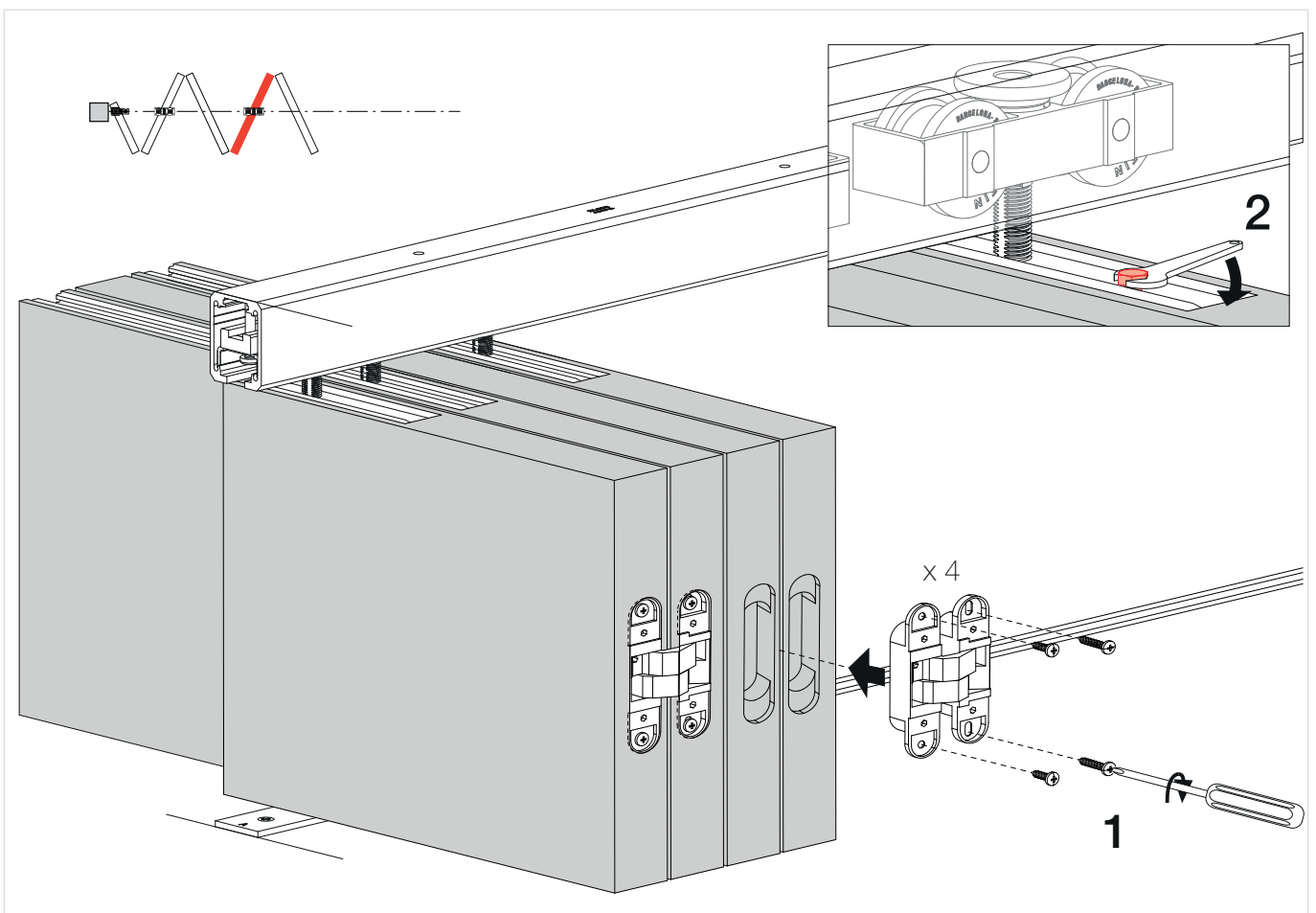
26 FIJACIÓN REGULACIÓN EN ALTURA P2 / FIX HEIGHT ADJUSTMENT P2



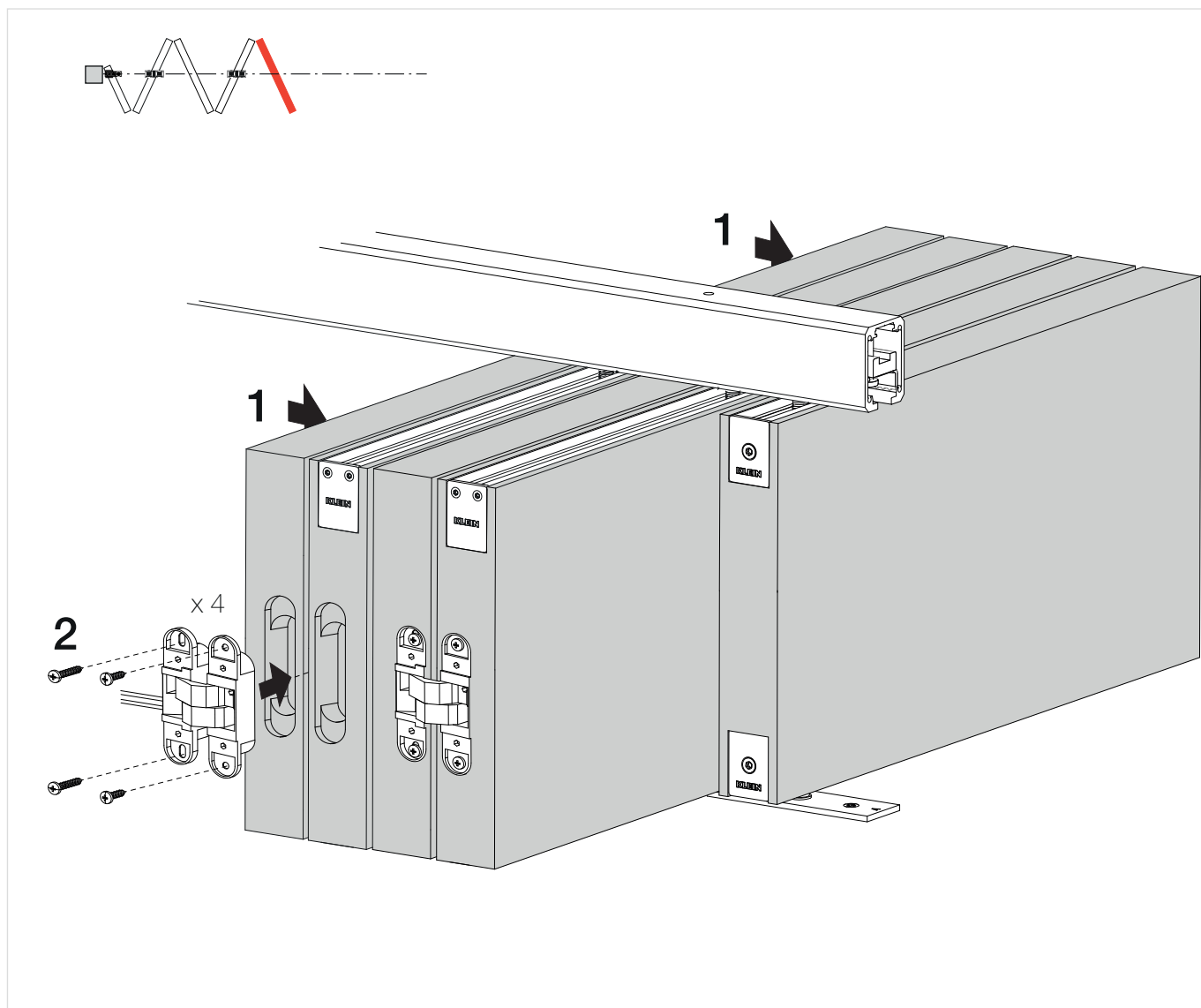
27 COLOCACIÓN ROLLER P4 / ROLLER PLACEMENT OF P4



28 COLOCACIÓN DE LAS BISAGRAS P4 / HINGE P4 PLACEMENT

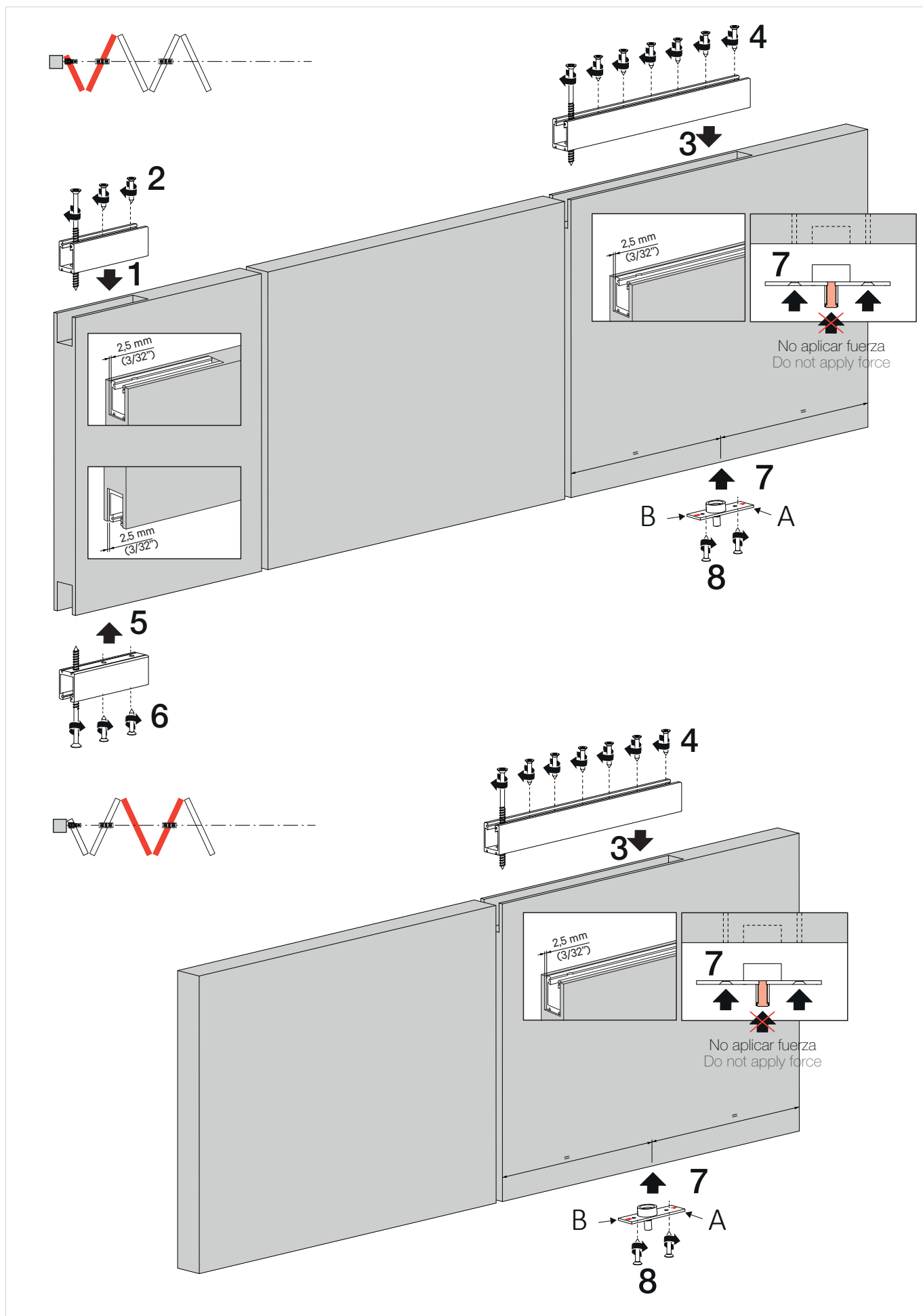


29 COLOCACIÓN DE LAS BISAGRAS P5 / HINGE P5 PLACEMENT

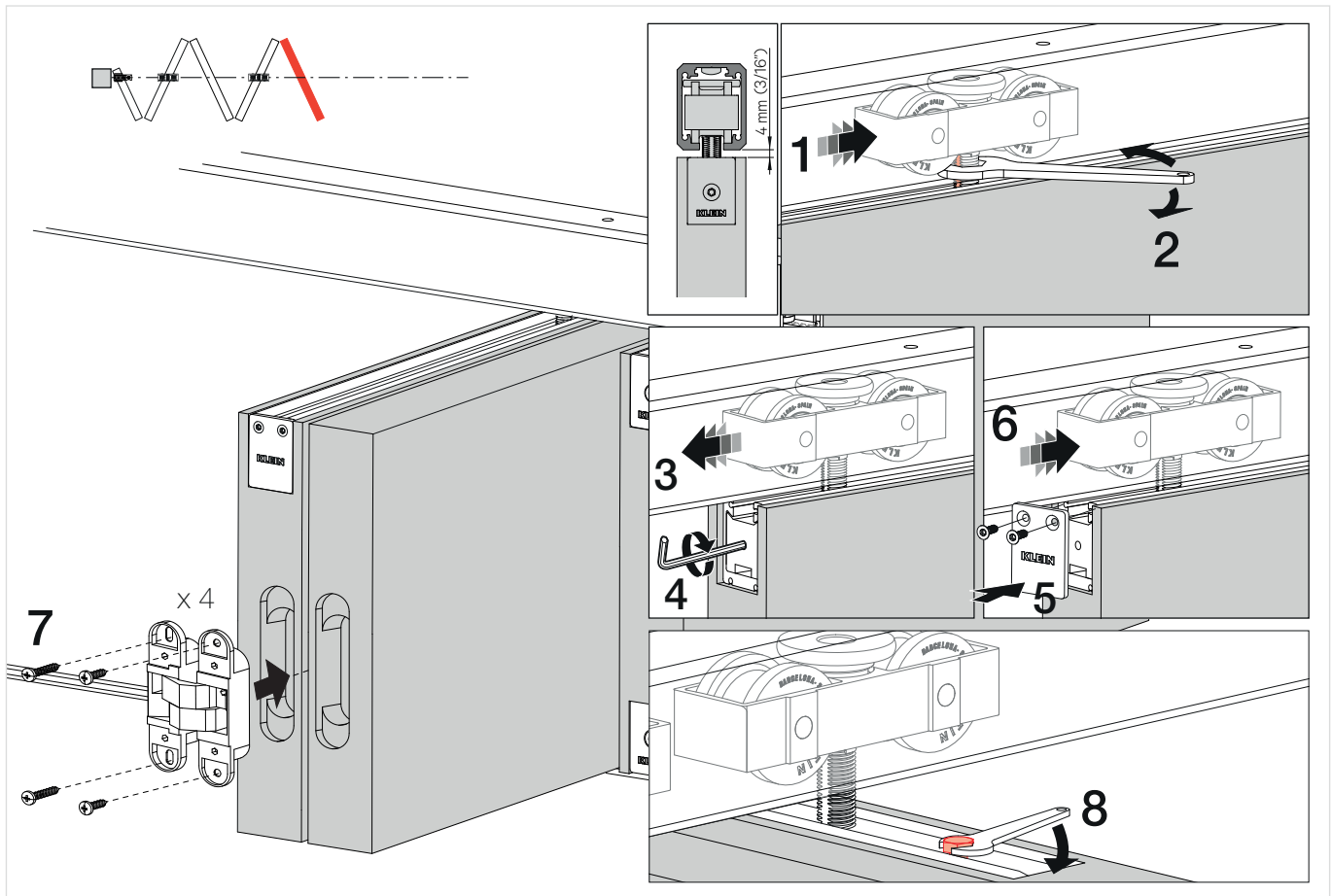


**PARA INSTALACIÓN FOLD 3-5
HOJAS**
FOR INSTALLATION FOLD 3-5
PANELS

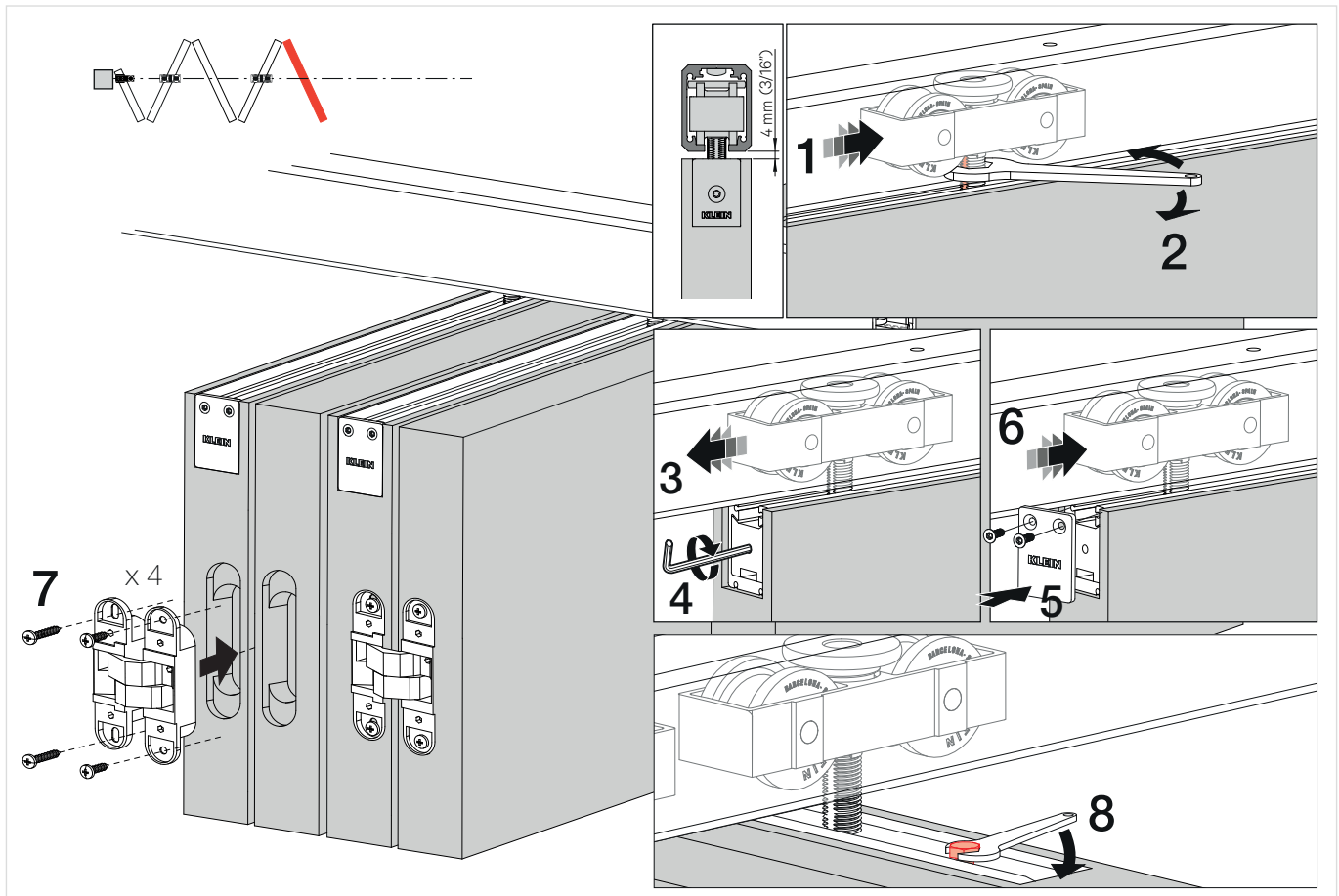
30 COLOCACIÓN GUIAS SOPORTE / SUPPORT TRACK MOUNTING



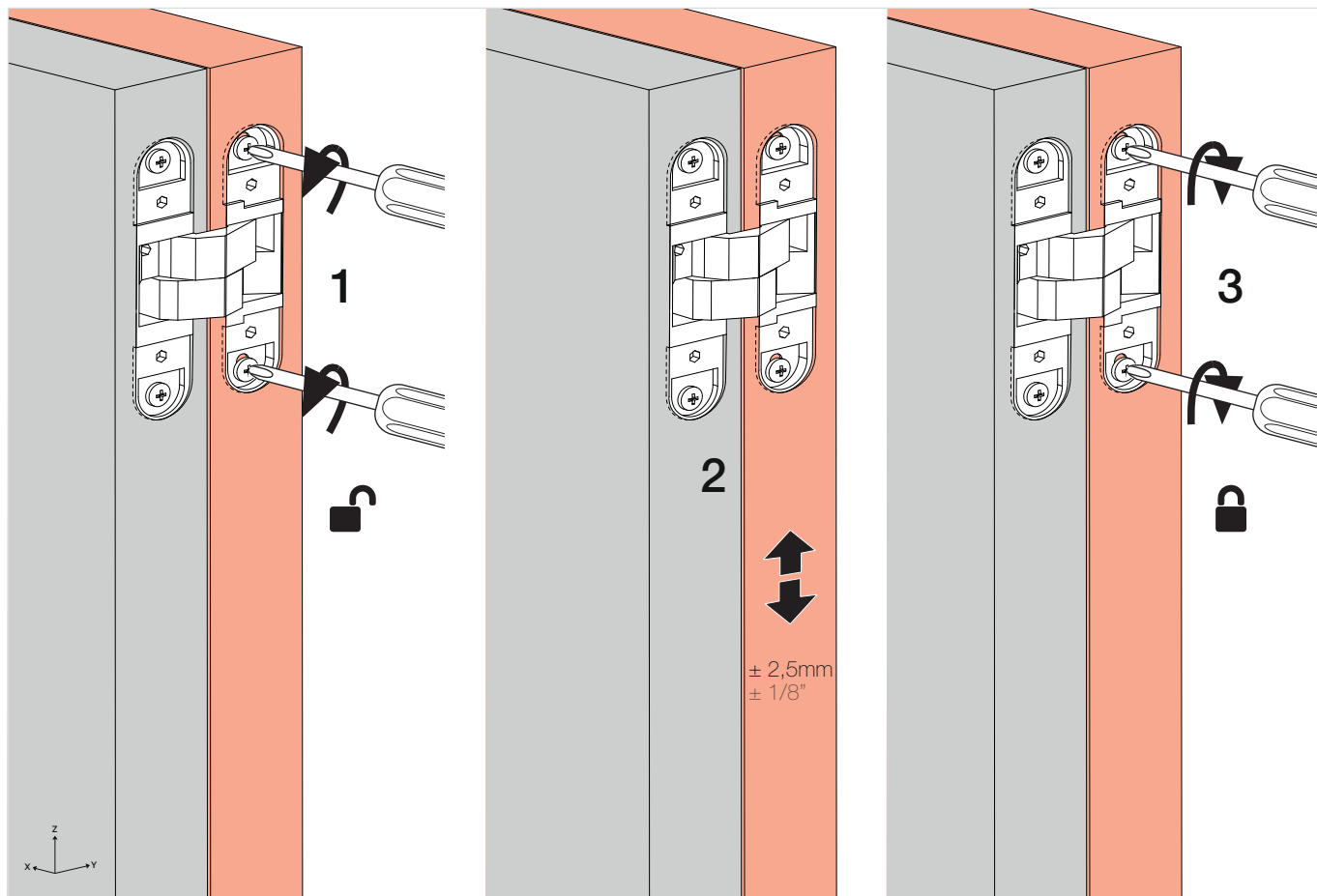
31 COLOCACIÓN PANEL 3/ PLACEMENT OF PANEL 3



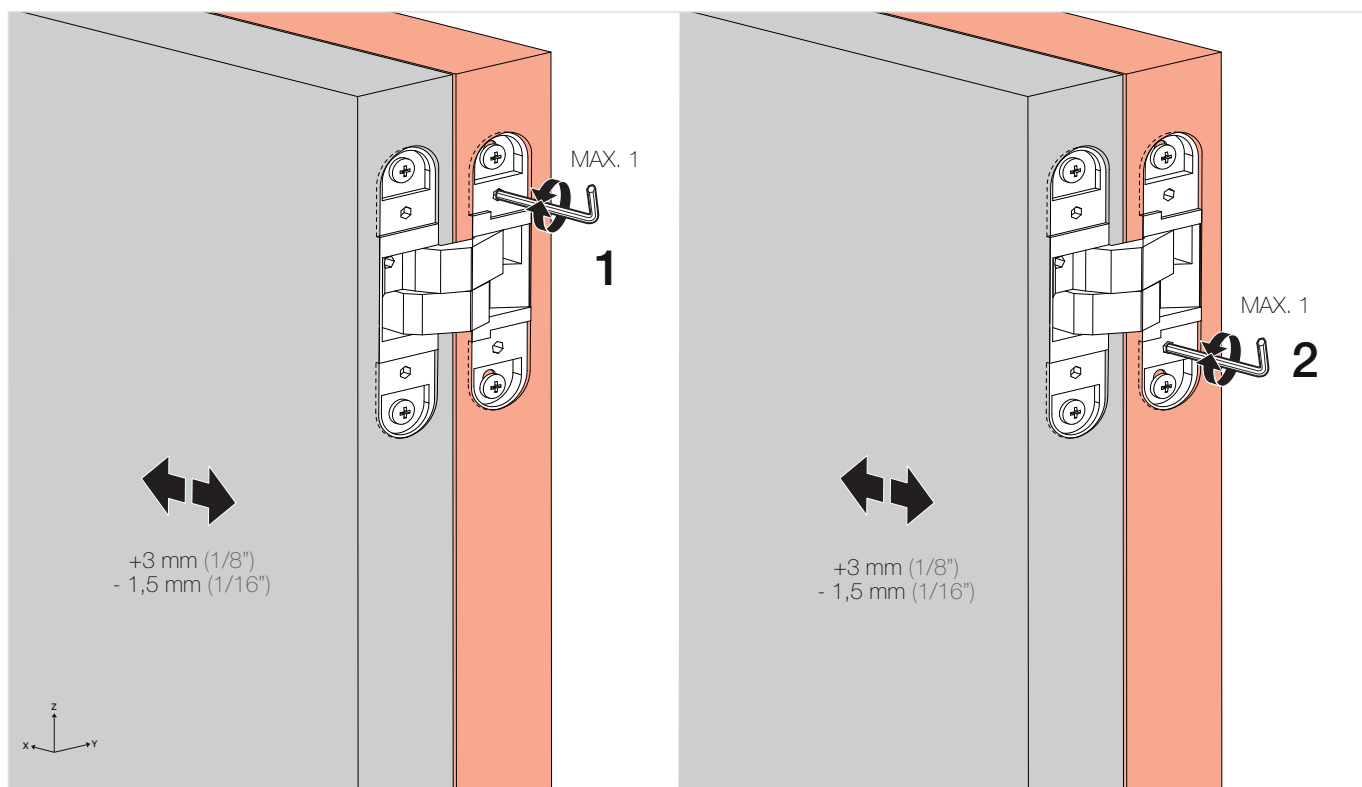
32 COLOCACIÓN PANEL 5/ PLACEMENT OF PANEL 5



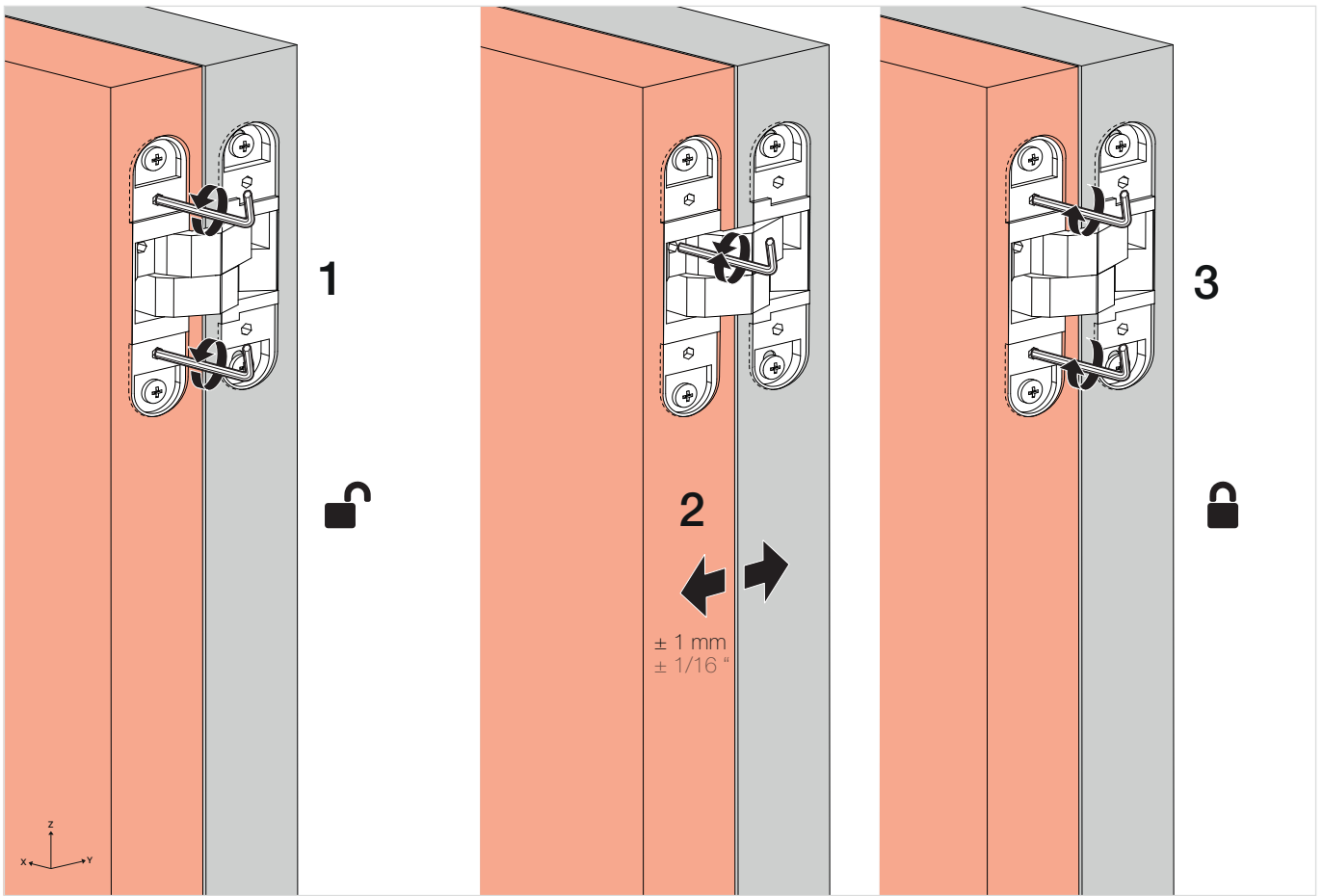
33 REGULACIÓN EN Z DE LAS BISAGRAS / Z-ADJUSTMENT OF THE HINGES



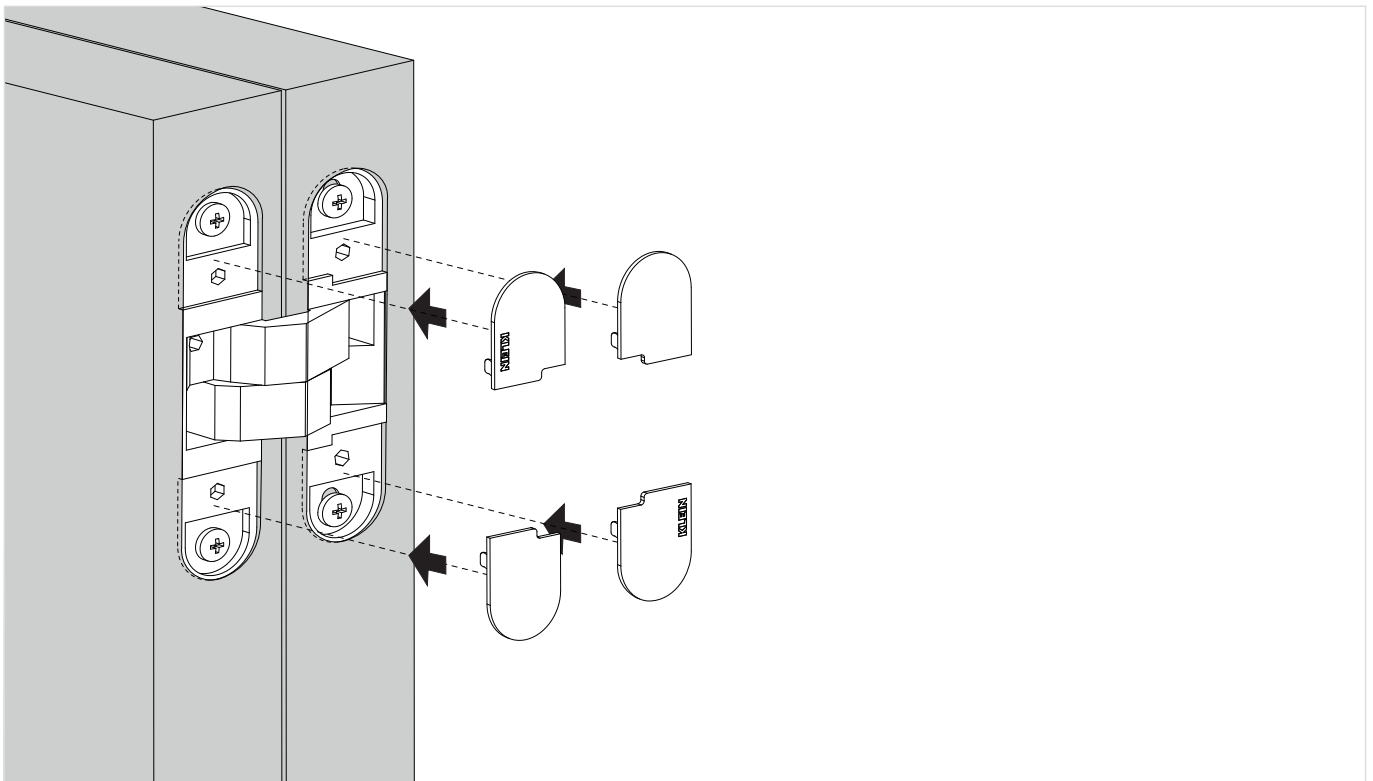
34 REGULACIÓN EN X DE LAS BISAGRAS / X-ADJUSTMENT OF THE HINGES



35 REGULACIÓN EN Y DE LAS BISAGRAS / Y-ADJUSTMENT OF THE HINGES



36 COLOCACIÓN TAPAS LATERALES DE LAS BISAGRAS / PLACEMENT OF HINGE SIDE COVER



Limited Warranty.

(1) KLEIN IBERICA, S.A.U. & KLEIN USA, Inc. warrants to the immediate customer only that the delivered goods are free of original material defects and defects in workmanship for a period of five years from date of receipt by the customer. All warranty claims are subject to inspection by KLEIN IBERICA, S.A.U. & KLEIN USA, Inc. prior to KLEIN IBERICA, S.A.U. & KLEIN USA, Inc. providing a remedy for the warranty claim.

(2) Excluded from this warranty are products, or parts of them, subject to wear through use, and products which have not been used in accordance with their technical characteristics and for purposes for which they have not been designed, being understood that the products sold by KLEIN IBERICA, S.A.U. & KLEIN USA, Inc. are designed exclusively for the enclosure of spaces, with the enclosing running precisely in the longitudinal sense.

(3) Also excluded from this warranty are those products in which the limits expressed in the product documentation have been exceeded for weights and dimension supported by the product, and/or recommendations for the qualities of the material to which the products sold by KLEIN IBERICA, S.A.U. & KLEIN USA, Inc. are fixed have not been complied with.

(4) KLEIN IBERICA, S.A.U. & KLEIN USA, Inc. makes no warranty with respect to the following: a) materials not manufactured by KLEIN IBERICA, S.A.U. & KLEIN USA, Inc. or any other group companies, the use of which is suggested by KLEIN IBERICA, S.A.U. & KLEIN USA, Inc. or any other group companies general recommendations, application or installation procedures or otherwise; b) All display items sold by KLEIN IBERICA, S.A.U. & KLEIN USA, Inc. to the Customer.

(5) Warranties are exclusive, and in lieu of all other warranties, express or implied, written or oral, including but not limited to, any implied warranty of merchantability or fitness for any particular purpose. KLEIN IBERICA, S.A.U. & KLEIN USA, Inc. does not assume, nor authorize any representative or other person to assume for it, any obligation or liability other than as expressly set forth herein.

(6) For the warranty to take effect, the defective product must be sent with the voucher or purchase invoice to the Company, which will then process to repair or replace the product, at its choice.

(7) KLEIN IBERICA, S.A.U. & KLEIN USA, Inc. will accept no other responsibility than the repair or replacement of the product and only for the purchaser of the product, so the rights granted by this warranty may not be assigned to third parties.

Extent of liability.

(1) In case of a breach of contractual obligations, defective deliveries, tortuous acts or producers liability, KLEIN IBERICA, S.A.U. & KLEIN USA, Inc. shall only be obliged to compensate damages or expenses –subject to any other contractual or statutory conditions for liability– if it acted intentionally or with gross negligence or in cases of minor negligence, if such negligence results in the breach of an essential contractual duty (a duty the breach of which puts the fulfillment of the purpose of the contract at risk). The liability of KLEIN IBERICA, S.A.U. & KLEIN USA, Inc. shall be limited to typical damages which are foreseeable at the time of the conclusion of the contract.

(2) The liability of KLEIN IBERICA, S.A.U. & KLEIN USA, Inc. for losses caused by late delivery due to minor negligence shall be limited to 5% of the agreed purchase price.

(3) The exclusions and limitations of liability in sections (1) – (2) shall not apply in cases where KLEIN IBERICA, S.A.U. & KLEIN USA, Inc. has maliciously failed to disclose a defect, in case of damages resulting from death, injury to health or physical injury where the laws on product liability impose overriding liabilities which cannot be excluded.

(4) The limitation period for claims against KLEIN IBERICA, S.A.U. & KLEIN USA, Inc. –based on whatever legal ground- is 12 months from the date of delivery to the customer and in case of tortuous claims 12 months from the date the customer becomes aware or would have become aware of the grounds giving rise to a claim and the liable person had he not been grossly negligent. The provisions in this section (4) shall neither apply in cases of intentional or gross negligent breaches of duty nor shall they apply in cases referred to in section 13. (3).

Force Majeure.

(1) KLEIN IBERICA, S.A.U. & KLEIN USA, Inc. shall not be liable for any default or delay in the production or delivery of all or any goods resulting either directly or indirectly from: a) Accidents to, breakdowns, or mechanical failure of KLEIN IBERICA, S.A.U. & KLEIN USA, Inc. or any other group companies' plant, machinery or equipment, strikes or other labour troubles, labour shortages, fire, flood, wars, acts of the public enemy, acts of God, delays of suppliers, delays in transportation or lack of transportation facilities, embargos, shortages or reductions of energy sources, priorities, allocations, limitations, restrictions or other acts required or requested by federal, state or local governments or any other bureau or agency thereof; b) Any action beyond the control of the Company.

(2) In no event shall KLEIN IBERICA, S.A.U. & KLEIN USA, Inc. or any other group companies be liable for any consequential, special, or contingent damages arising out of KLEIN IBERICA, S.A.U. & KLEIN USA, Inc. or any other group companies default or delay in filling the customer's order.

Industrial Property Rights, Copyrights.

(1) Industrial property rights and copyrights to any goods or material of KLEIN IBERICA, S.A.U. & KLEIN USA, Inc. shall remain exclusively the proprietary of the Company. (2) In the event of claims against the customer because of breach of an industrial property right or a copyright in using the Company's deliveries or services, KLEIN IBERICA, S.A.U. & KLEIN USA, Inc. shall be responsible to obtain the right for the customer to continue using such deliveries or services, provided that the customer gives immediate written notice of such third-party claims and KLEIN IBERICA, S.A.U. & KLEIN USA, Inc. rights to take all appropriate defensive and out-of-court actions are reserved. If, despite such actions, it proves impossible to continue using the Company's deliveries or services under reasonable economic conditions, it shall be understood as agreed that KLEIN IBERICA, S.A.U. & KLEIN USA, Inc. may, at its discretion, modify or replace the particular delivery or service for removal of a legal deficiency, or reship such delivery or service with refunding of the sales price previously paid to KLEIN IBERICA, S.A.U. & KLEIN USA, Inc. less a certain deduction to account for the age of the delivery or service in question.

(2) The customer shall have no further claims alleging infringement of industrial property or copyrights, if KLEIN IBERICA, S.A.U. & KLEIN USA, Inc. has not either violated essential contractual duties or has intentionally or grossly negligently breached contractual duties. KLEIN IBERICA, S.A.U. & KLEIN USA, Inc. shall have no liability where breaches of rights are caused by exploiting Company's deliveries or services in any other way than quoted by KLEIN IBERICA, S.A.U. & KLEIN USA, Inc. or by operating these together with any other than Company's deliveries or services.



KLEIN

KLEIN EUROPE - GLOBAL HEADQUARTER
Pol. Ind. Can Cuyas. N-150 Km.1
08110 Montcada i Reixac (Barcelona)
Tel.: + 34 935 760 101

Fax: + 34 935 760 109
klein@klein.es
www.klein.es

KLEIN USA, INC - US HEADQUARTER
1 Madison Street
East Rutherford, NJ 07073
Phone: 973 246 8181

Fax: 973 246 8362
info@klein-usa.com
www.klein-usa.com

Follow us on social media
Síguenos en redes

